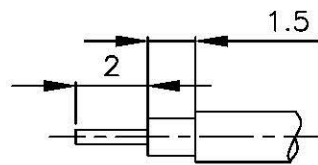
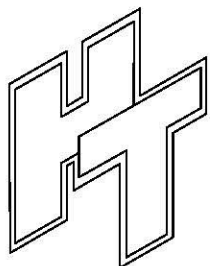
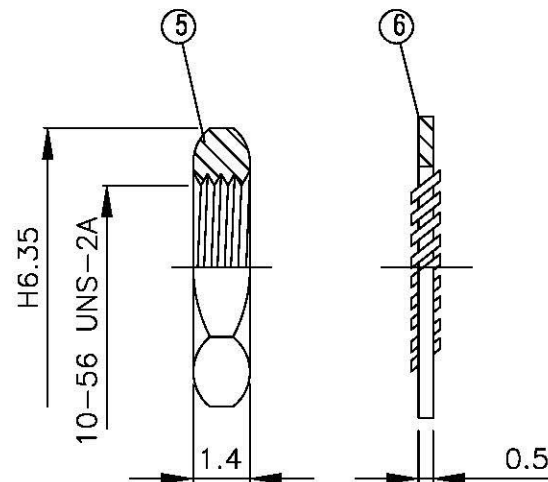
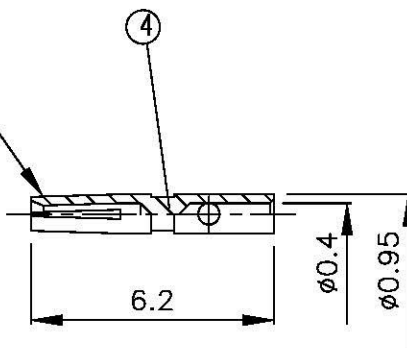
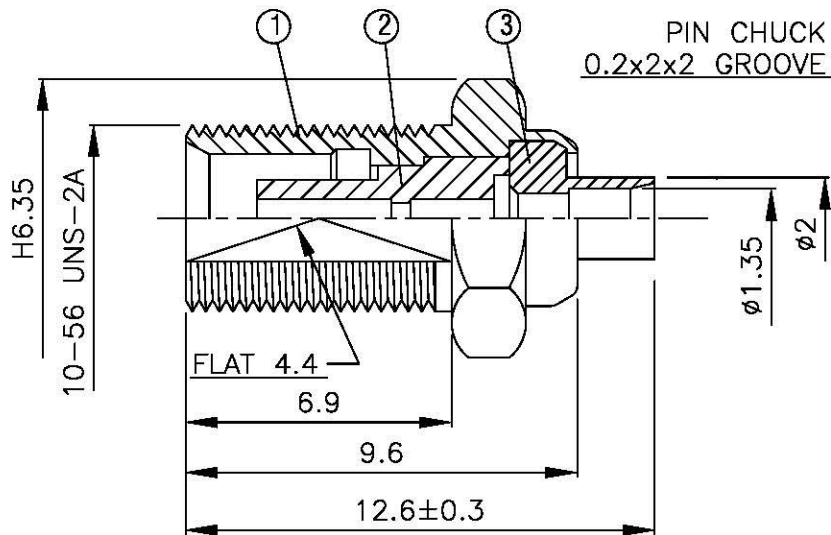
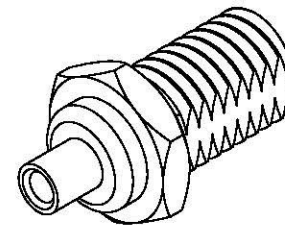


NO	DESCRIPTION	MATERIAL	Q'TY	FINISH	REMARK
1	BODY 1	BRASS	1	GOLD	B-MCX0152-G
2	INSULATION	TEFLON	1	TEFLON	I-0004T
3	BODY 2	BRASS	1	GOLD	B-MCX0150-G
4	PIN	BE CU	1	GOLD	P-MCX0081-G
5	NUT	BRASS	1	GOLD	N-0012-N
6	WASHER	BRASS	1	GOLD	W-0009-N



(Recommended Stripping Dimension)



All Connectors
 www.allconnectors.de
 Tel.: 0049 711 4005003
 70794 Filderstadt - Germany
 info@allconnectors.de
 Tel.: 0049 711 7005004
 karten@allconnectors.de

TITLE MCX FEMALE SOLDER FOR M17/151 (.047)

PART NO. MCX-10V3-TGG

DRAWING NO. MCX 10V3 TGG

DRAWN	MARY	DATE	96.05.01
CHECKED	黄巧君	DATE	
Q.A.	蘇姿潔	DATE	
APPROVAL	徐燦霖	DATE	
REVISION		DATE	

DIMENSIONS ARE IN MILLIMETERS			
UNLESS OTHERWISE SPECIFIED TOLERANCE			
0.5-5=±0.2	120-315=±1		
5-30=±0.4	315-1000=±1.6		
30-120±0.6	1000-2000=±2.4		
SCALE	4:1	SIZE	A

REVISION	
DESCRIPTION	ENGINEER