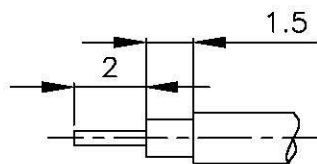
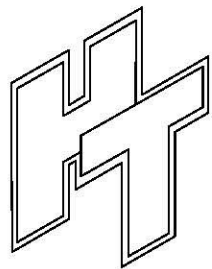
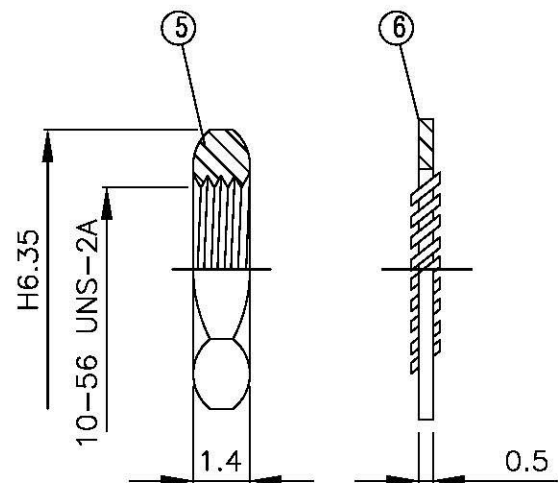
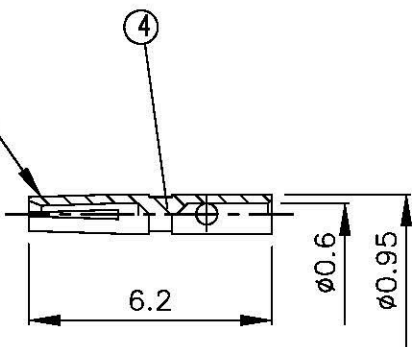
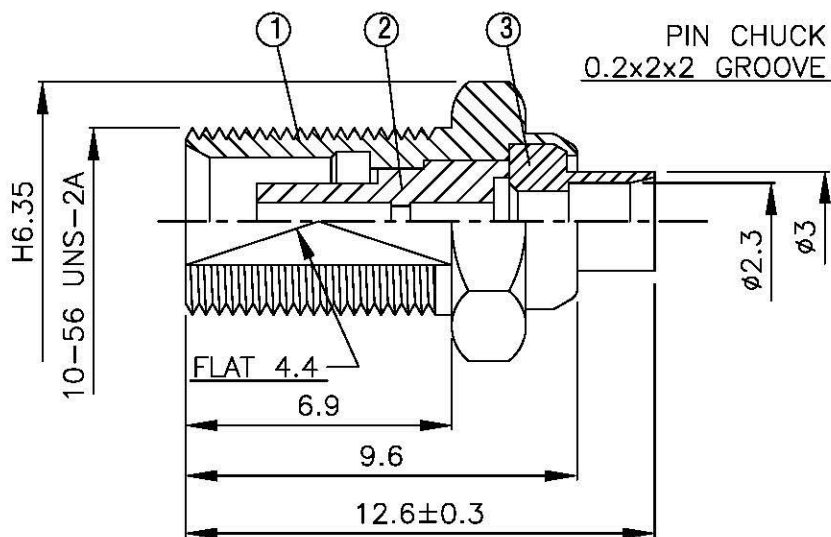
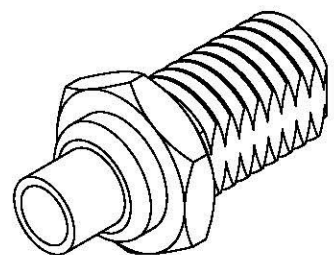


NO	DESCRIPTION	MATERIAL	Q'TY	FINISH	REMARK
1	BODY 1	BRASS	1	GOLD	B-MCX0152-G
2	INSULATION	TEFLON	1	TEFLON	I-0004T
3	BODY 2	BRASS	1	GOLD	B-MCX0149-G
4	PIN	BE CU	1	GOLD	P-MCX0079-G
5	NUT	BRASS	1	GOLD	N-0012-N
6	WASHER	BRASS	1	GOLD	W-0009-N



(Recommended Stripping Dimension)



All Connectors
 www.allconnectors.de
 Tel.: 0049 711 705993
 info@allconnectors.de
 Fax: 0049 711 705994
 info@allconnectors.com
 Tel.: 001 202 221 2212

TITLE **MCX FEMALE SOLDER FOR RG 405 (.085)**

PART NO. **MCX-10V1-TGG**

DRAWING NO. **MCX 10V1 TGG**

DRAWN	MARY	DATE	96.05.01
CHECKED	黄巧君	DATE	
Q.A.	蘇姿潔	DATE	
APPROVAL	徐燦霖	DATE	
REVISION		DATE	

DIMENSIONS ARE IN MILLIMETERS			
UNLESS OTHERWISE SPECIFIED TOLERANCE			
0.5-5=±0.2	120-315=±1		
5-30=±0.4	315-1000=±1.6		
30-120±0.6	1000-2000=±2.4		
SCALE	4:1	SIZE	A

REVISION	
DESCRIPTION	ENGINEER