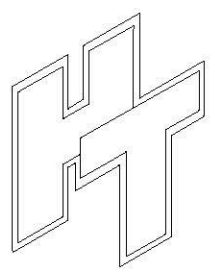
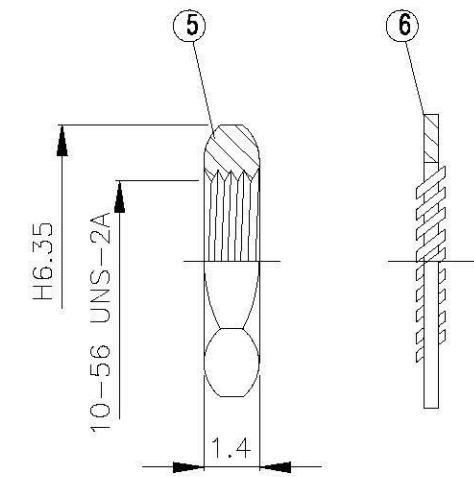
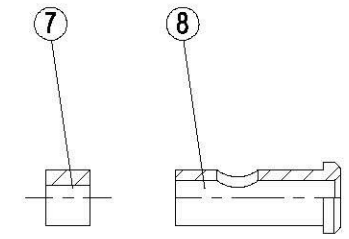
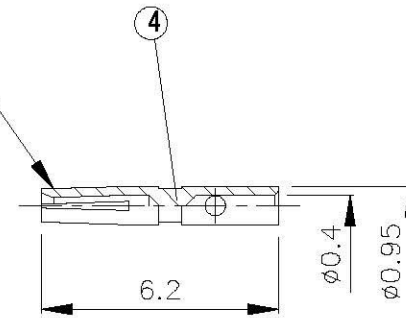
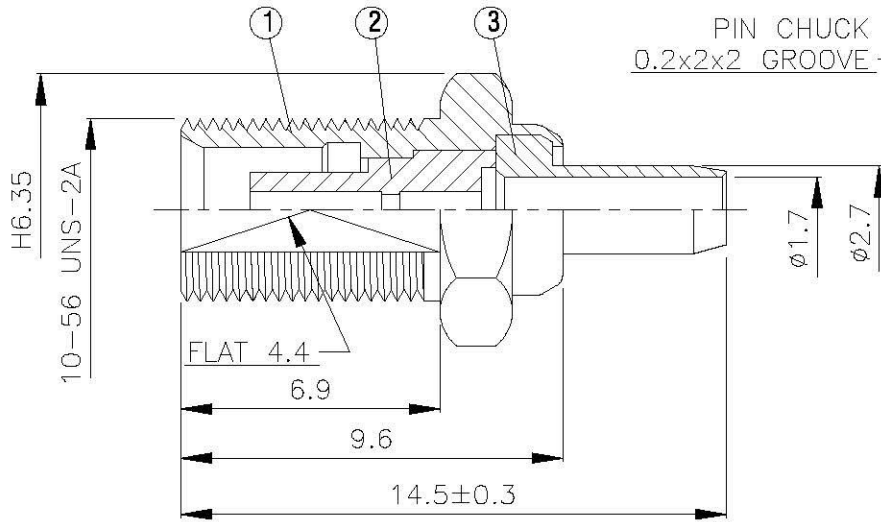
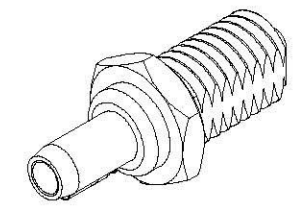
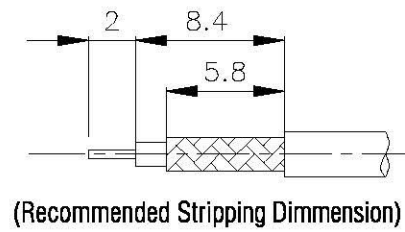


NO	DESCRIPTION	MATERIAL	Q'TY	FINISH	REMARK
1	BODY 1	BRASS	1	GOLD	B-MCX0152-G
2	INSULATION	TEFLON	1	TEFLON	I-0004T
3	BODY 2	BRASS	1	GOLD	B-MCX0148-G
4	PIN	BE CU	1	GOLD	P-MCX0081-G
5	NUT	BRASS	1	GOLD	N-0012-G
6	WASHER	BRASS	1	GOLD	W-0009-G
7	INSULATION	TEFLON	1	TEFLON	I-0304T
8	BODY 3	BRASS	1	GOLD	B-SMA0473-G



All Connectors
 www.allconnectors.de info@allconnectors.de
 40430 Datteln 47110 Krefeld
 47491 Hildenstr. 10 Germany

TITLE MCX FEMALE CRIMP FOR RG178/U

PART NO. MCX-10M-TGG

DRAWING NO. MCX 10M TGG

DRAWN MARY **DATE** 91.12.05

CHECKED 蘇志欣 **DATE** 97.05.20

Q.A. 蘇姿潔 **DATE**

APPROVAL 徐燦霖 **DATE**

REVISION **DATE**

DIMENSIONS ARE IN MILLIMETERS

UNLESS OTHERWISE SPECIFIED TOLERANCE

0.5-5=±0.2	120-315=±1
5-30=±0.4	315-1000=±1.6
30-120±0.6	1000-2000=±2.4

SCALE 4:1 **SIZE** A

REVISION	
DESCRIPTION	ENGINEER