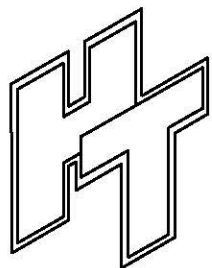
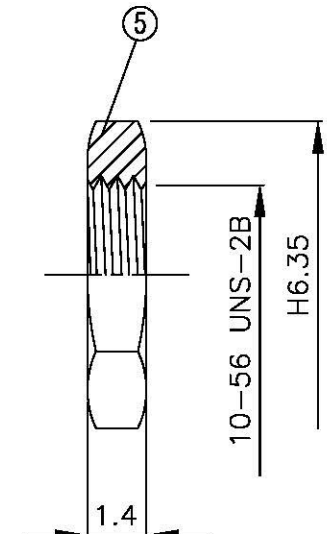
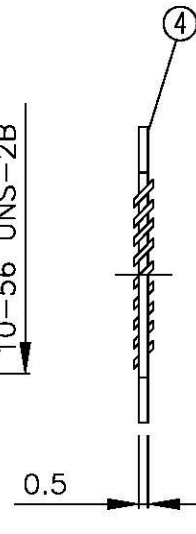
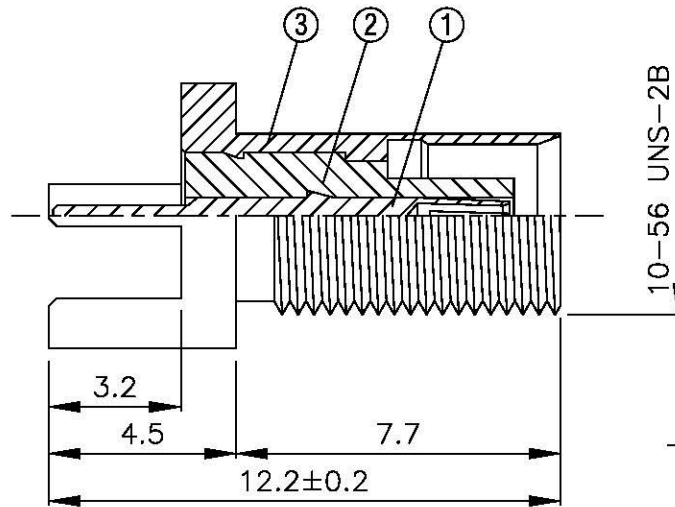
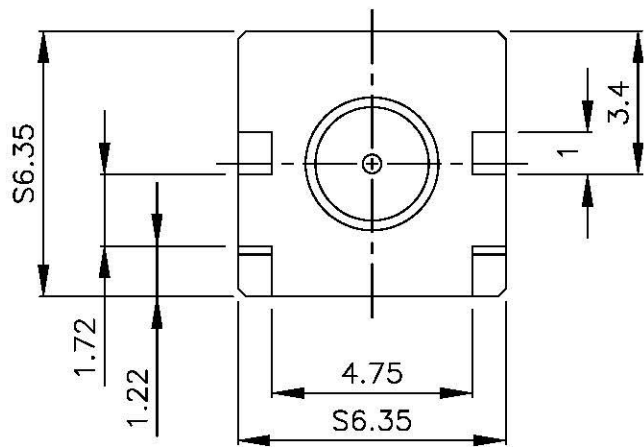
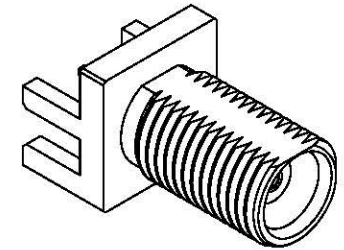
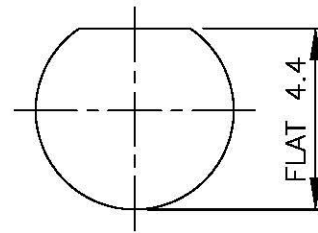


NO	DESCRIPTION	MATERIAL	Q'TY	FINISH	REMARK
1	PIN	BE CU	1	GOLD	P-MCX0359-G
2	INSULATION	TEFLON	1	TEFLON	I-0017T
3	BODY	BRASS	1	GOLD	B-MCX0556-G
4	WASHER	BRASS	1	GOLD	W-0009-G
5	NUT	BRASS	1	GOLD	N-0012-G



HUS-TSAN GROUP CO., LTD.

P.O. BOX 40-76. TAINAN. TAIWAN, R.O.C.

TITLE MCX FEMALE END LAUNCH BOARD THICKNESS ( 1.57 )

PART NO. MCX-09V5-TGG

DRAWING NO. MCX 09V5 TGG

DRAWN MARY DATE 95.01.19

CHECKED 黄巧君 DATE

Q.A. 蘇姿潔 DATE

APPROVAL 徐燦霖 DATE

REVISION DATE

DIMENSIONS ARE IN MILLIMETERS

UNLESS OTHERWISE SPECIFIED TOLERANCE

0.5-5=±0.2 120-315=±1

5-30=±0.4 315-1000=±1.6

30-120±0.6 1000-2000=±2.4

SCALE 4:1 SIZE A

REVISION

DESCRIPTION ENGINEER