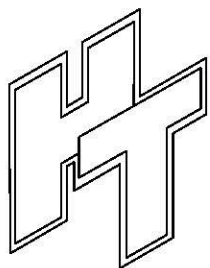
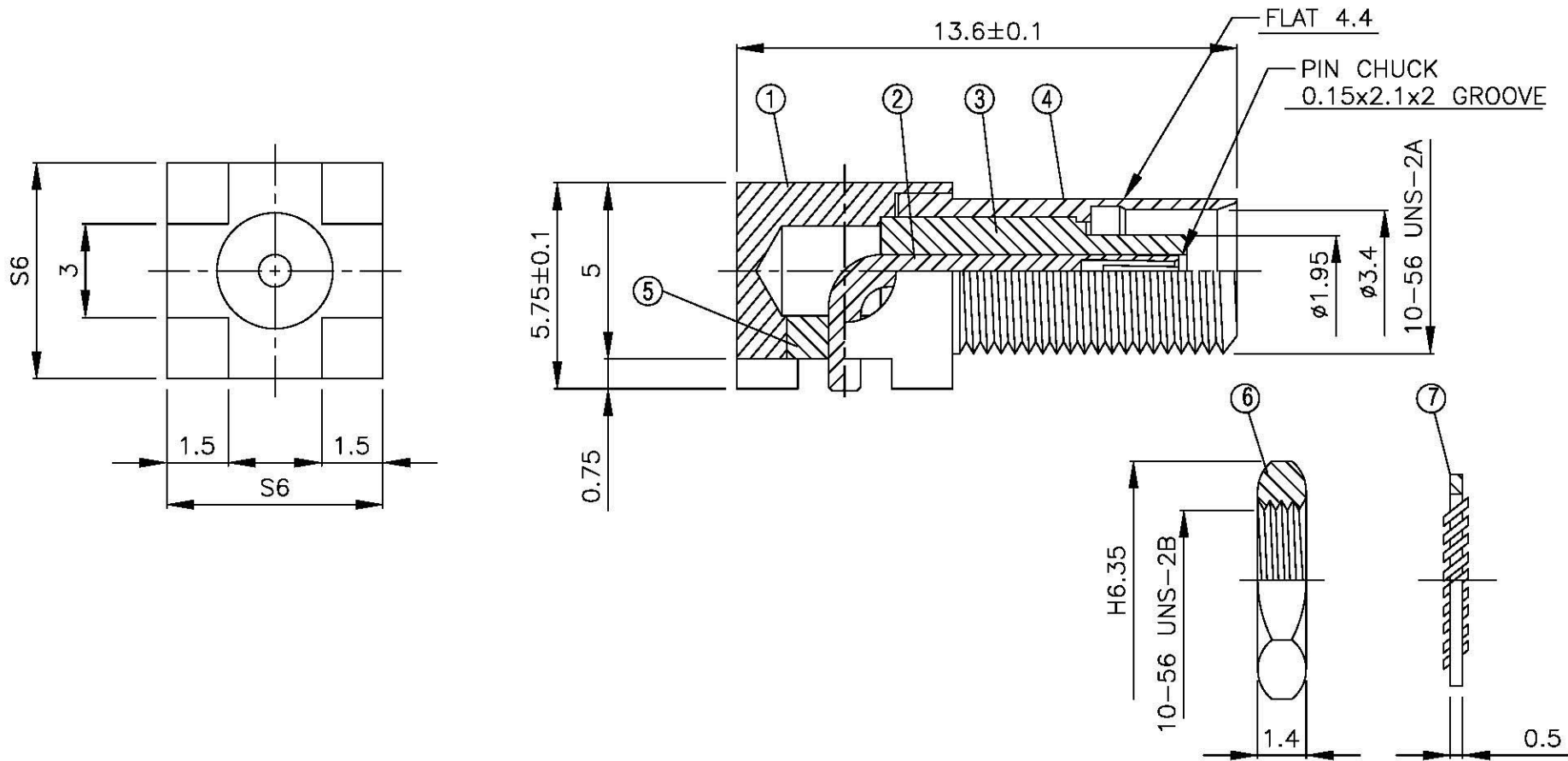
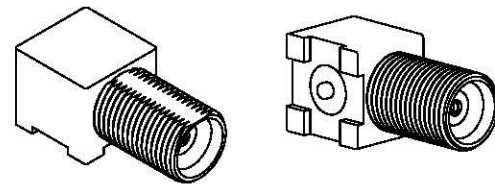


NO	DESCRIPTION	MATERIAL	Q'TY	FINISH	REMARK
1	BODY 1	BRASS	1	GOLD	B-MCX0315-G
2	PIN	PH.BRONZE	1	GOLD	P-MCX0337-G
3	INSULATION 1	TEFLON	1	TEFLON	I-243T
4	BODY 2	BRASS	1	GOLD	B-MCX0496-G
5	INSULATION 2	TEFLON	1	TEFLON	I-0071T
6	NUT	BRASS	1	GOLD	N-0012-G
7	WASHER	BRASS	1	GOLD	W-0047-G



All Connectors

www.allconnectors.com
 Tel: 0019 711 706903
 20254 Hill Road, Guilin, China

info@allconnectors.com
 Fax: 0019 711 706501
 KHL000001.25

TITLE MCX FEMALE RIGHT ANGLE
 RECEPTACLE -SURFACE MOUNT

PART NO. MCX-08V4-TGG

DRAWING NO. MCX 08V4 TGG

DRAWN MARY DATE 96.03.05

CHECKED 黄巧君 DATE

Q.A. 蘇姿潔 DATE

APPROVAL 徐燦霖 DATE

REVISION DATE

DIMENSIONS ARE IN MILLIMETERS

UNLESS OTHERWISE SPECIFIED
 TOLERANCE

0.5-5=±0.2	120-315=±1
5-30=±0.4	315-1000=±1.6
30-120±0.6	1000-2000=±2.4

SCALE 4:1 SIZE A

REVISION

DESCRIPTION	ENGINEER