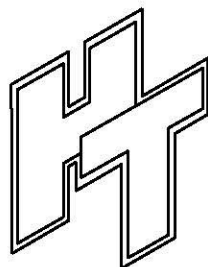
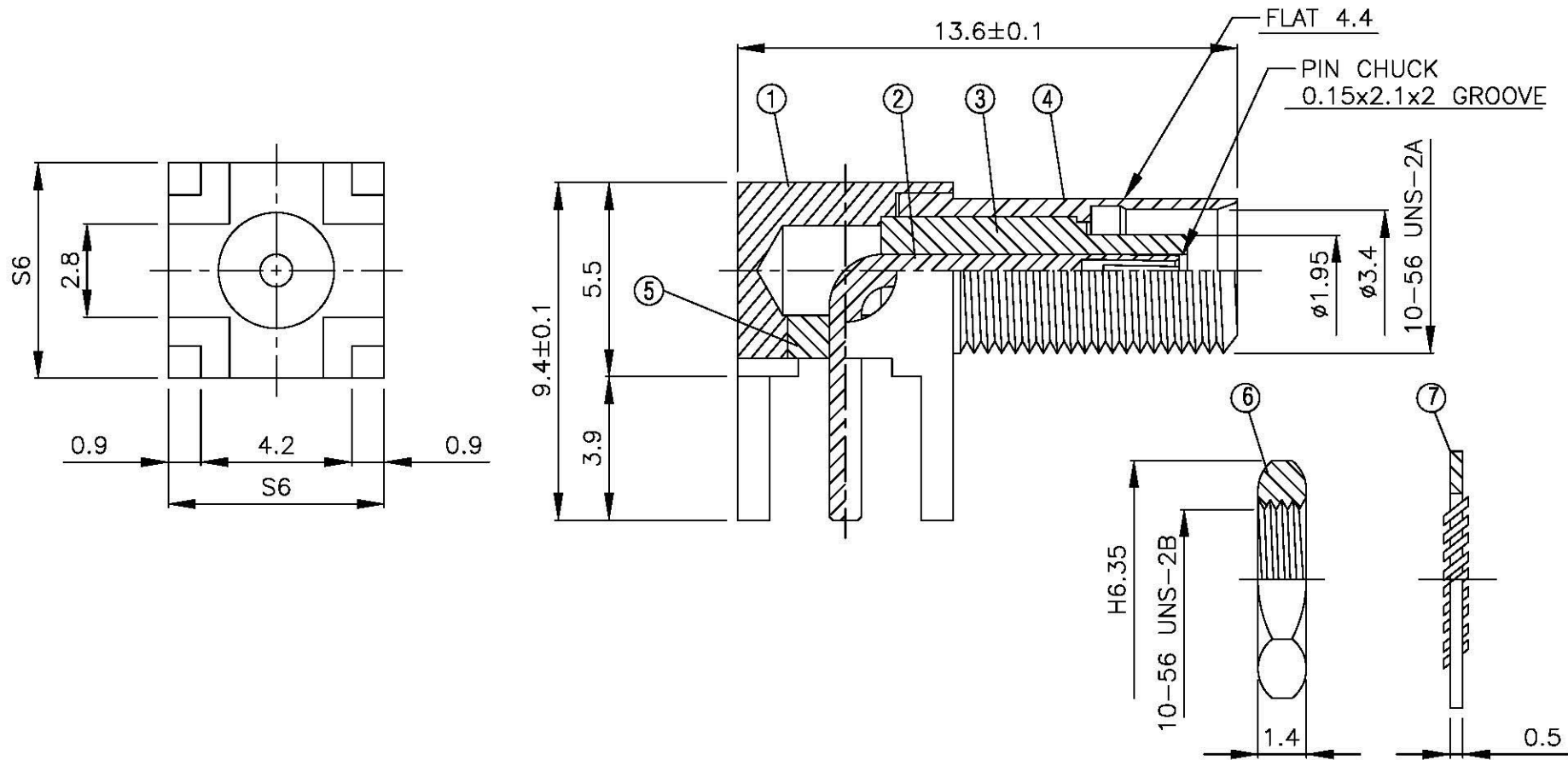
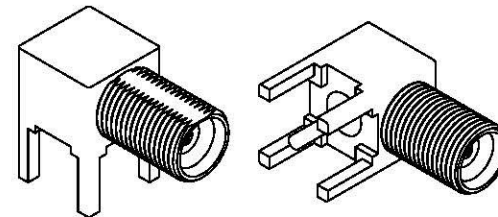


NO	DESCRIPTION	MATERIAL	Q'TY	FINISH	REMARK
1	BODY 1	BRASS	1	GOLD	B-MCX0282-G
2	PIN	BE CU	1	GOLD	P-MCX0335-G
3	INSULATION 1	TEFLON	1	GOLD	I-243T
4	BODY 2	BRASS	1	GOLD	B-MCX0496-G
5	INSULATION 2	TEFLON	1	TEFLON	I-0071T
6	NUT	BRASS	1	GOLD	N-0012-G
7	WASHER	BRASS	1	GOLD	W-0009-G



**All Connectors**

www.allconnectors.de  
 TEL: 0049 711 7009103  
 info@allconnectors.de  
 Fax: 0049 711 7009104  
 RUSBA Hildesheim, Germany  
 Kellermannstr. 22

TITLE **MCX FEMALE RIGHT ANGLE RECEPTACLE**

PART NO. **MCX-08-TGG**

DRAWING NO. **MCX 08 TGG**

DRAWN **MARY** DATE **96.04.30**

CHECKED **黄巧君** DATE

Q.A. **蘇姿潔** DATE

APPROVAL **徐燦霖** DATE

REVISION DATE

DIMENSIONS ARE IN MILLIMETERS

UNLESS OTHERWISE SPECIFIED TOLERANCE

0.5-5=±0.2	120-315=±1
5-30=±0.4	315-1000=±1.6
30-120±0.6	1000-2000=±2.4

SCALE **4:1** SIZE **A**

REVISION

DESCRIPTION	ENGINEER