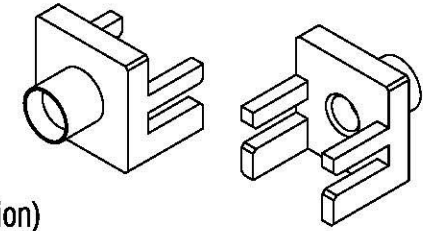
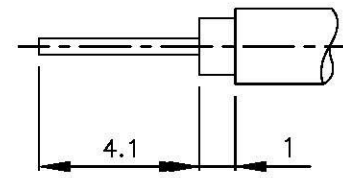
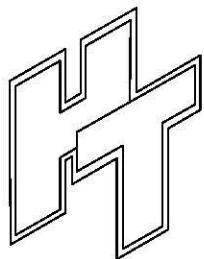
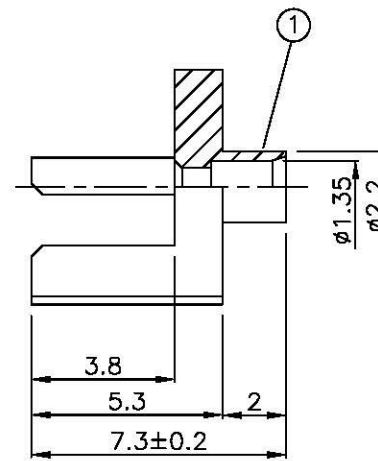
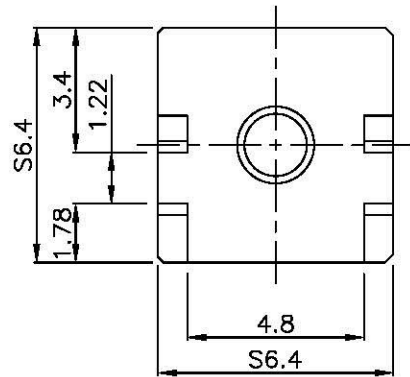


NO	DESCRIPTION	MATERIAL	Q'TY	FINISH	REMARK
1	BODY	BRASS	1	GOLD	B-MCX0541-G



(Recommended Stripping Dimension)



All Connectors

www.allconnectors.com
 44133 Dorn 4733000000
 52070 Dillendorf - Germany

TITLE STRAIGHT SOLDER END LAUNCH
 BOARD THICKNESS (1.1) .047

PART NO. MCX-07V3-GOLD

DRAWING NO. MCX 07V3 GOLD

DRAWN MARY

DATE 96.07.05

CHECKED 蘇志欣

DATE

Q.A. 蘇姿潔

DATE

APPROVAL 徐燦霖

DATE

REVISION

DATE

DIMENSIONS ARE IN MILLIMETERS

UNLESS OTHERWISE SPECIFIED TOLERANCE

0.5-5=±0.2 120-315=±1
 5-30=±0.4 315-1000=±1.6
 30-120=±0.6 1000-2000=±2.4

SCALE 4:1 SIZE A

REVISION

DESCRIPTION ENGINEER

4

3

2

1

D

D

C

C

B

B

A

A