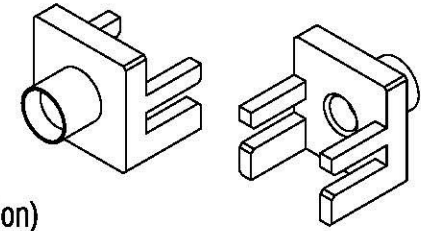
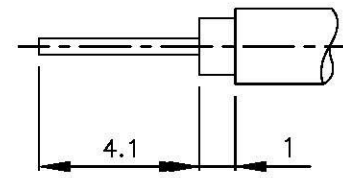
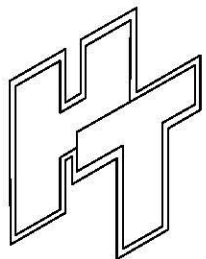
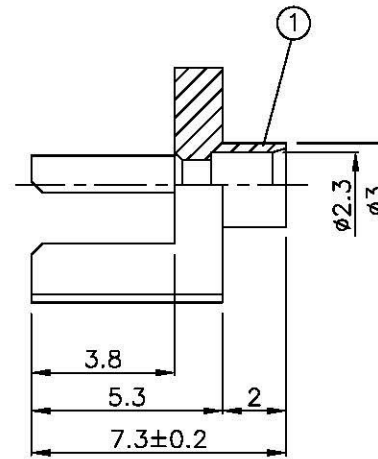
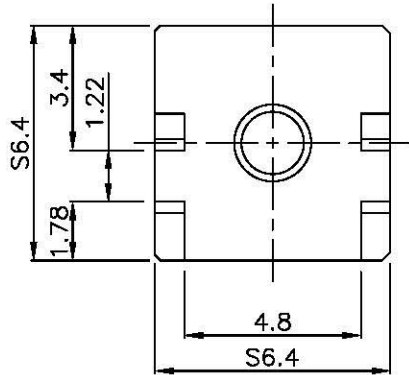


NO	DESCRIPTION	MATERIAL	Q'TY	FINISH	REMARK
1	BODY	BRASS	1	GOLD	B-MCX0539-G



(Recommended Stripping Dimension)



**All Connectors**

www.allconnectors.de  
Tel: +0049 711 7069045

Info@allconnectors.de  
Fax: +0049 711 7069044  
Kottbusstraße 25

TITLE STRAIGHT SOLDER END LAUNCH BOARD THICKNESS ( 1.1 )

PART NO. MCX-07V1-GOLD

DRAWING NO. MCX-07V1-GOLD

DRAWN MARY

DATE 96.07.05

CHECKED

蘇志欣

DATE

Q.A.

蘇姿潔

DATE

APPROVAL

徐燦霖

DATE

REVISION

DATE

DIMENSIONS ARE IN MILLIMETERS

UNLESS OTHERWISE SPECIFIED TOLERANCE

0.5-5=±0.2 120-315=±1  
5-30=±0.4 315-1000=±1.6  
30-120=±0.6 1000-2000=±2.4

SCALE 4:1 SIZE A

REVISION

DESCRIPTION ENGINEER

4

3

2

1

D

D

C

C

B

B

A

A