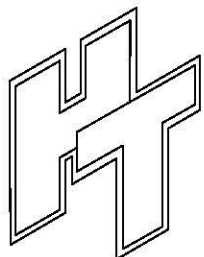
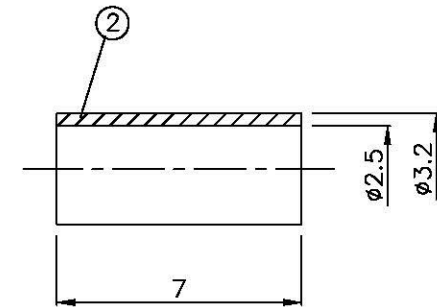
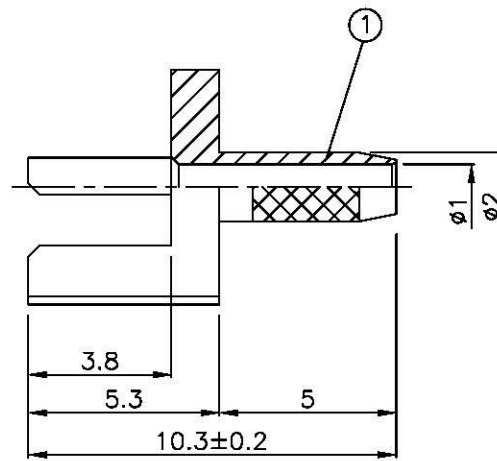
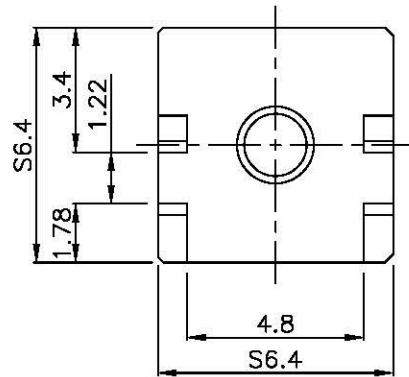
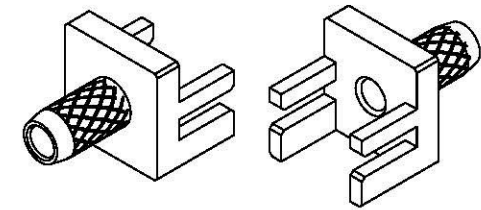
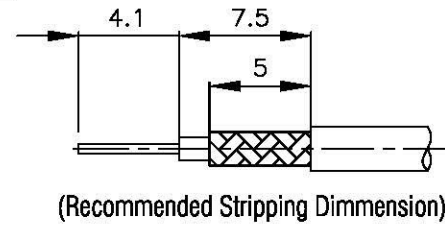


NO	DESCRIPTION	MATERIAL	Q'TY	FINISH	REMARK
1	BODY	BRASS	1	GOLD	B-MCX0540-G
2	RING	BRASS	1	GOLD	R-0038-G



All Connectors

www.allconnectors.com
Tel.: 0049 741 7008008
79754 Filzschacht, Germany

info@allconnectors.com
Fax: 0049 741 7008004
Kottbusstr. 22

TITLE STRAIGHT CRIMP END LAUNCH
BOARD THICKNESS (1.1) FOR RG-178/U

PART NO. MCX-07M-GOLD

DRAWING NO. MCX-07M-GOLD

DRAWN MARY

CHECKED 蘇志欣

Q.A. 蘇姿潔

APPROVAL 徐燦霖

REVISION

DATE 96.07.05

DATE

DATE

DATE

DATE

DIMENSIONS ARE IN MILLIMETERS

UNLESS OTHERWISE SPECIFIED
TOLERANCE

0.5-5=±0.2 120-315=±1
5-30=±0.4 315-1000=±1.6
30-120=±0.6 1000-2000=±2.4

SCALE 4:1 SIZE A

REVISION

DESCRIPTION ENGINEER