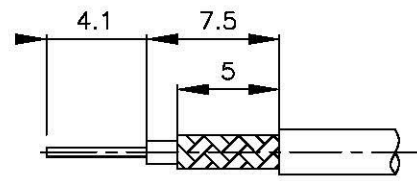
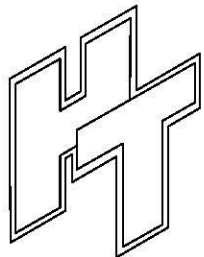
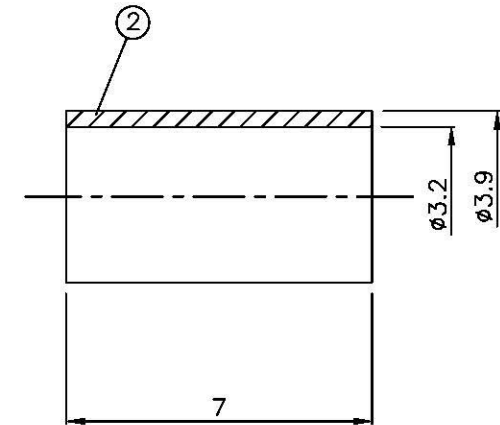
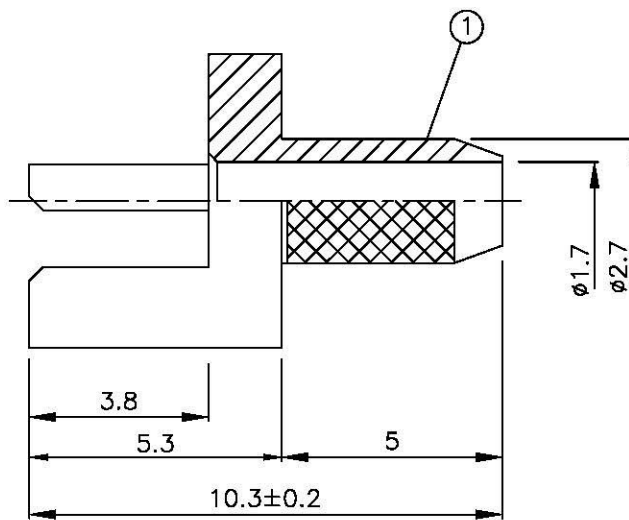
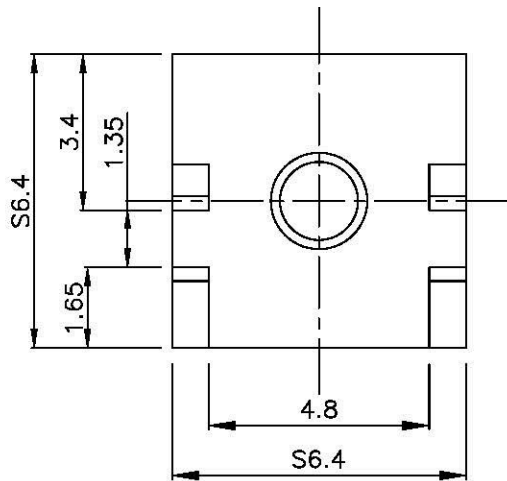
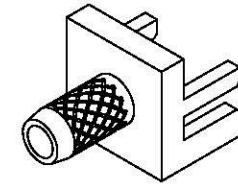


NO	DESCRIPTION	MATERIAL	Q'TY	FINISH	REMARK
1	BODY	BRASS	1	GOLD	B-MCX1183-G
2	RING	BRASS	1	GOLD	R-0001-G



(Recommended Stripping Dimension)



**Allconnectors**

www.allconnectors.de  
Tel.: 0049 711 7003303  
70734 Filzheimstr. Germany

info@allconnectors.de  
Fax: 0049 711 7003304  
Kontakt: +49 711 7003305

TITLE STRAIGHT CRIMP END LAUNCH  
TAB CONTACT (BOARD THICKNESS 1.19)

PART NO. MCX-07LV1-GOLD-3

DRAWING NO. MCX-07LV1-GOLD-3

DRAWN MARY

DATE 96.05.10

CHECKED 蘇志欣

DATE

Q.A. 蘇姿潔

DATE

APPROVAL 徐燦霖

DATE

REVISION

DATE

DIMENSIONS ARE IN MILLIMETERS

UNLESS OTHERWISE SPECIFIED TOLERANCE

0.5-5=±0.2 120-315=±1

5-30=±0.4 315-1000=±1.6

30-120=±0.6 1000-2000=±2.4

SCALE 4:1 SIZE A

REVISION

DESCRIPTION ENGINEER

4

3

2

1

D

D

C

C

B

B

A

A