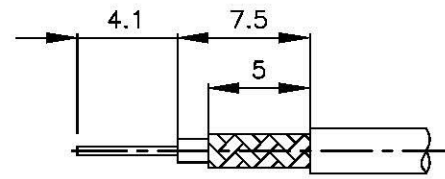
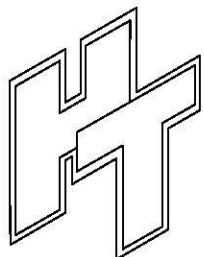
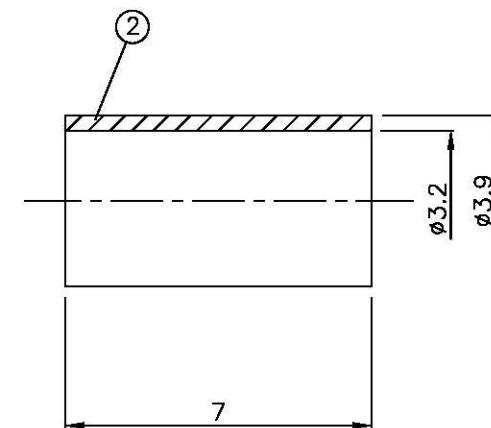
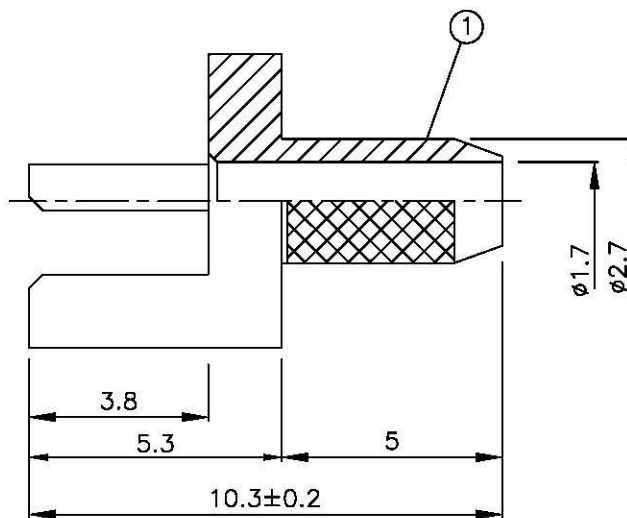
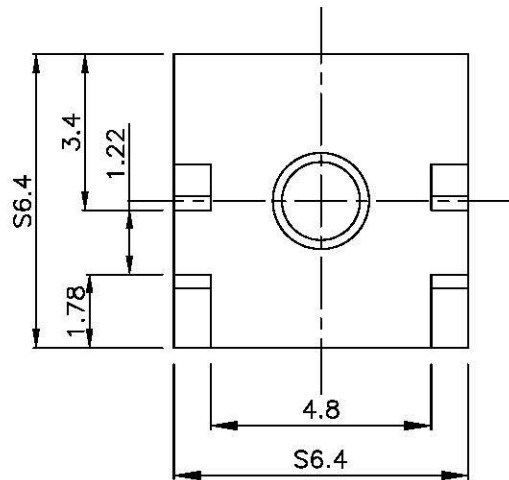
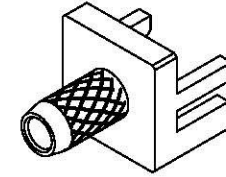


NO	DESCRIPTION	MATERIAL	Q'TY	FINISH	REMARK
1	BODY	BRASS	1	GOLD	B-MCX0023-G
2	RING	BRASS	1	GOLD	R-0001-G



(Recommended Stripping Dimension)



**Allconnectors**

www.allconnectors.de  
 info@allconnectors.de  
 Tel.: 0049 (0) 31 705500  
 70794 Filteckstadt, Germany  
 Fax: 0049 (0) 31 705501  
 Kollernstraße, 25

TITLE STRAIGHT CRIMP END LAUNCH  
 TAB CONTACT (BOARD THICKNESS 1.07)

PART NO. MCX-07LV1-GOLD-2

DRAWING NO. MCX-07LV1-GOLD-2

DRAWN MARY

DATE 88.05.12

CHECKED 馮健華

DATE

Q.A. 黃俊銘

DATE

APPROVA 陳福貴

DATE

REVISION

DATE

DIMENSIONS ARE IN MILLIMETERS

UNLESS OTHERWISE SPECIFIED TOLERANCE

0.5-5=±0.2 120-315=±1  
 5-30=±0.4 315-1000=±1.6  
 30-120=±0.6 1000-2000=±2.4

SCALE 4:1 SIZE A

REVISION

DESCRIPTION ENGINEER