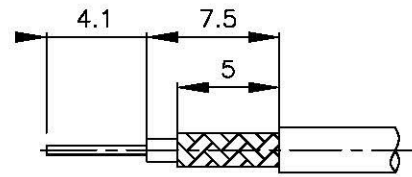
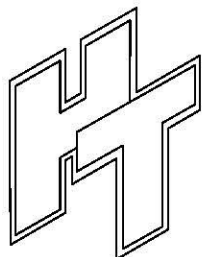
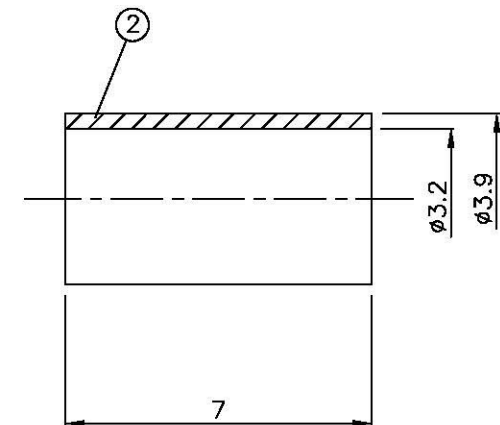
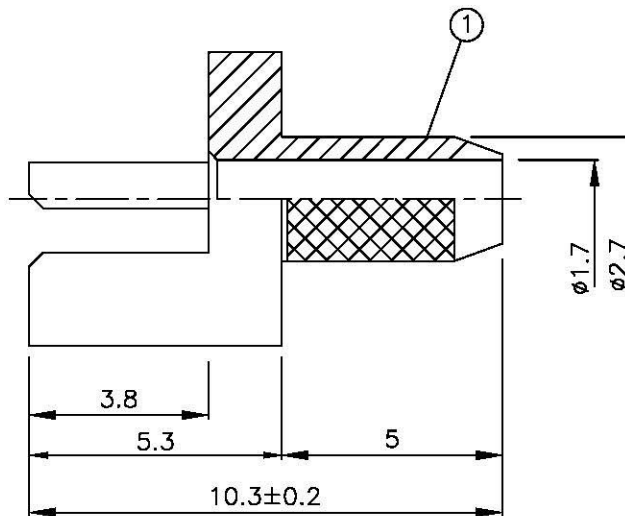
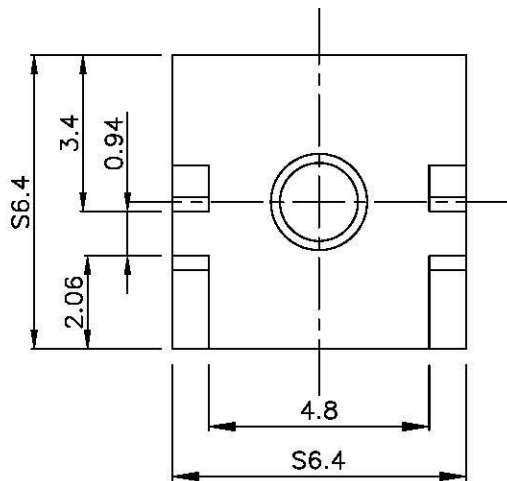
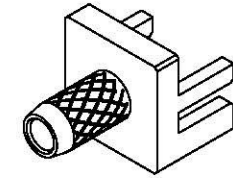


NO	DESCRIPTION	MATERIAL	Q'TY	FINISH	REMARK
1	BODY	BRASS	1	GOLD	B-MCX1182-G
2	RING	BRASS	1	GOLD	R-0001-G



(Recommended Stripping Dimension)



Allconnectors

www.allconnectors.de
Tel.: 0049 711 7009503
70794 Filderstadt Germany

info@allconnectors.de
Fax: 0049 711 7009504
Kettelerstr. 25

TITLE STRAIGHT CRIMP END LAUNCH
TAB CONTACT (BOARD THICKNESS 0.79)

PART NO. MCX-07LV1-GOLD-1

DRAWING NO. MCX-07LV1-GOLD-1

DRAWN

MARY

DATE

96.05.10

CHECKED

蘇志欣

DATE

Q.A.

蘇姿潔

DATE

APPROVAL

徐燦霖

DATE

REVISION

DATE

DIMENSIONS ARE IN MILLIMETERS

UNLESS OTHERWISE SPECIFIED
TOLERANCE

0.5-5=±0.2 120-315=±1
5-30=±0.4 315-1000=±1.6
30-120=±0.6 1000-2000=±2.4

SCALE 4:1 SIZE A

REVISION

DESCRIPTION

ENGINEER