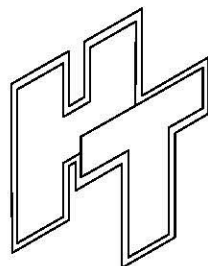
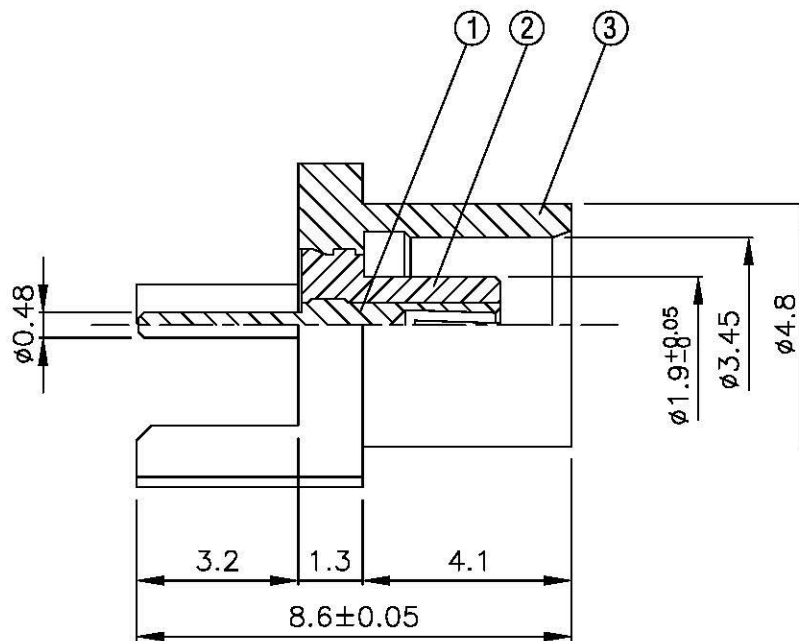
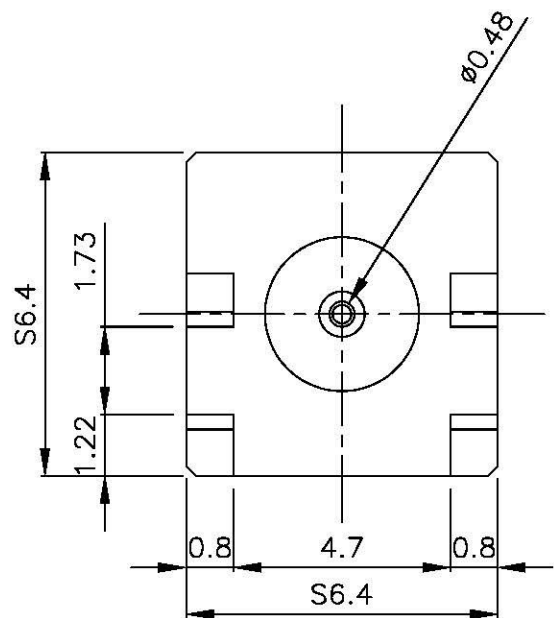
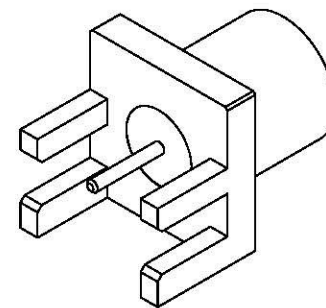


NO	DESCRIPTION	MATERIAL	Q'TY	FINISH	REMARK
1	PIN	BE CU	1	GOLD	P-MCX0083-G
2	INSULATION	TEFLON	1	TEFLON	I-0005T
3	BODY	BRASS	1	GOLD	B-MCX0128-G



All Connectors

www.allconnectors.de
Tel.: 0049 711 7095203
70794 Plochingen, Germany

info@allconnectors.de
Fax: 0049 711 7095204
Kettelerstr. 25

TITLE **MCX JACK END LAUNCH**

PART NO. **MCX-05V6-TGG**

DRAWING NO. **MCX 05V6 TGG**

DRAWN **MARY** DATE **96.04.30**

CHECKED **黄巧君** DATE

Q.A. **蘇姿潔** DATE

APPROVAL **徐燦霖** DATE

REVISION DATE

DIMENSIONS ARE IN MILLIMETERS

UNLESS OTHERWISE SPECIFIED TOLERANCE

0.5-5=±0.2	120-315=±1
5-30=±0.4	315-1000=±1.6
30-120±0.6	1000-2000=±2.4

SCALE **4:1** SIZE **A**

REVISION

DESCRIPTION	ENGINEER