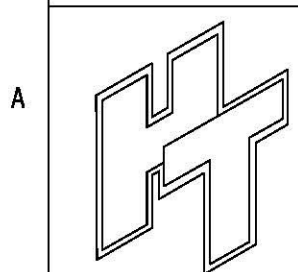
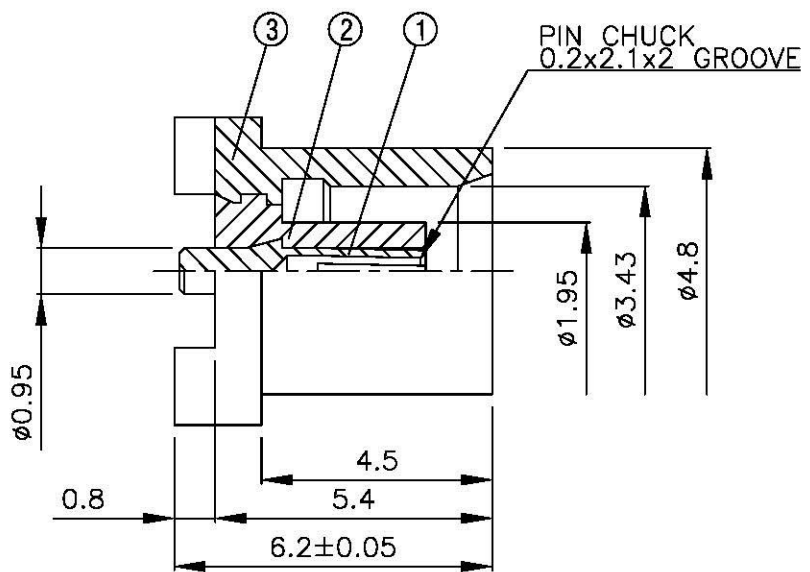
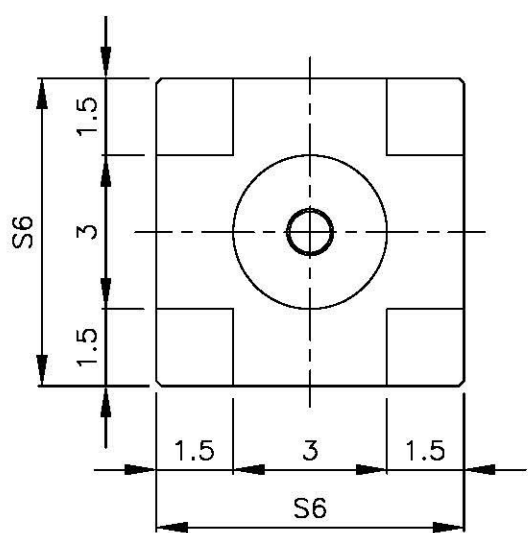
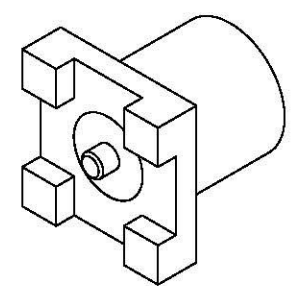
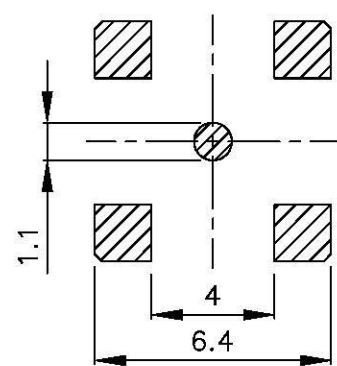


NO	DESCRIPTION	MATERIAL	Q'TY	FINISH	REMARK
1	PIN	BE CU	1	GOLD	P-MCX0088-G
2	INSULATION	TEFLON	1	TEFLON	I-0005T
3	BODY	BRASS	1	GOLD	B-MCX0139-G



All Connectors
 www.allconnectors.de
 Tel: 0049 7141 7000300
 70774 Filderstadt - Germany
 info@allconnectors.de
 Fax: 0049 7141 7000301
 Kellerstr. 1, 25

TITLE **MCX JACK PCB MOUNT**

PART NO. **MCX-05V5-TGG**

DRAWING NO. **MCX 05V5 TGG**

DRAWN **MARY** DATE **96.04.30**

CHECKED **黄巧君** DATE

Q.A. **蘇姿潔** DATE

APPROVAL **徐燦霖** DATE

REVISION DATE

DIMENSIONS ARE IN MILLIMETERS

UNLESS OTHERWISE SPECIFIED TOLERANCE

0.5-5=±0.2	120-315=±1
5-30=±0.4	315-1000=±1.6
30-120±0.6	1000-2000=±2.4

SCALE 4:1 SIZE A

REVISION	
DESCRIPTION	ENGINEER