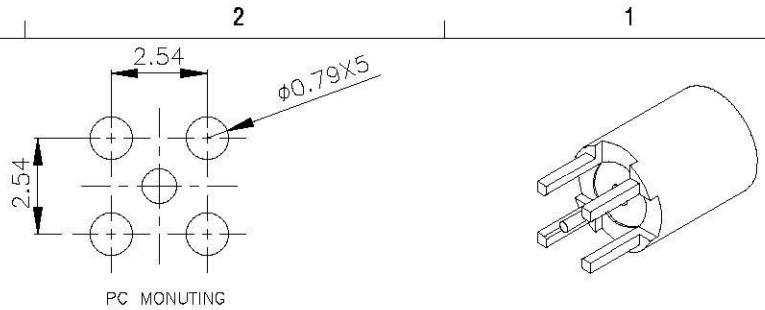


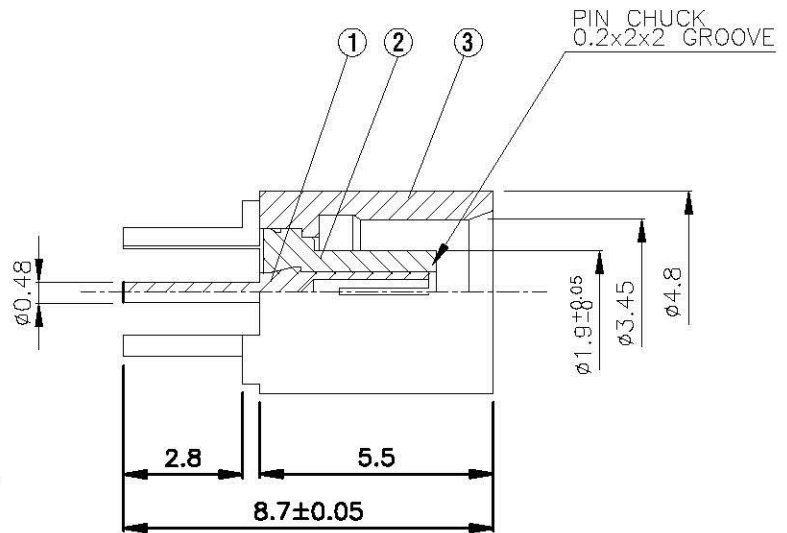
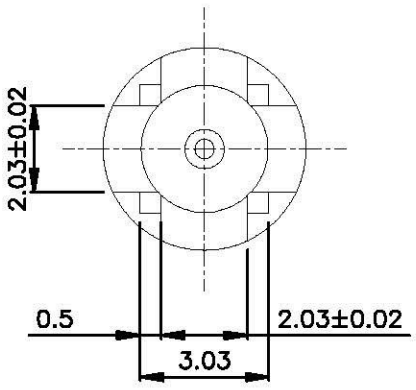
NO	DESCRIPTION	MATERIAL	Q'TY	FINISH	REMARK
1	PIN	BE CU	1	GOLD	P-MCX0083-G
2	INSULATION	TEFLON	1	TEFLON	I-0005T
3	BODY	BRASS	1	GOLD	B-MCX1368-G



D

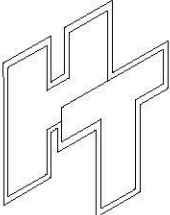


C

B



A

A

		DRAWN 	DATE 97.11.21	DIMENSIONS ARE IN MILLIMETERS		REVISION	
	<small>www.allconnectors.com Tel: 0265 711 78000 All Connectors Technology</small>	CHECKED 	DATE	UNLESS OTHERWISE SPECIFIED TOLERANCE		DESCRIPTION	ENGINEER
	TITLE MCX JACK PC MOUNT	Q.A. 	DATE	0.5-5=±0.2	120-315=±1		
	PART NO. MCX-05V12-TGG	APPROVAL 	DATE	5-30=±0.4	315-1000=±1.6		
DRAWING NO. MCX 05V12 TGG	REVISION	DATE	30-120±0.6	1000-2000=±2.4			
				SCALE 4:1	SIZE A		

4

3

2

1