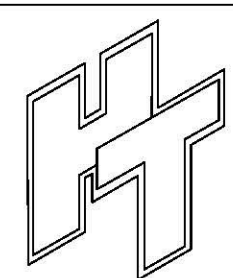
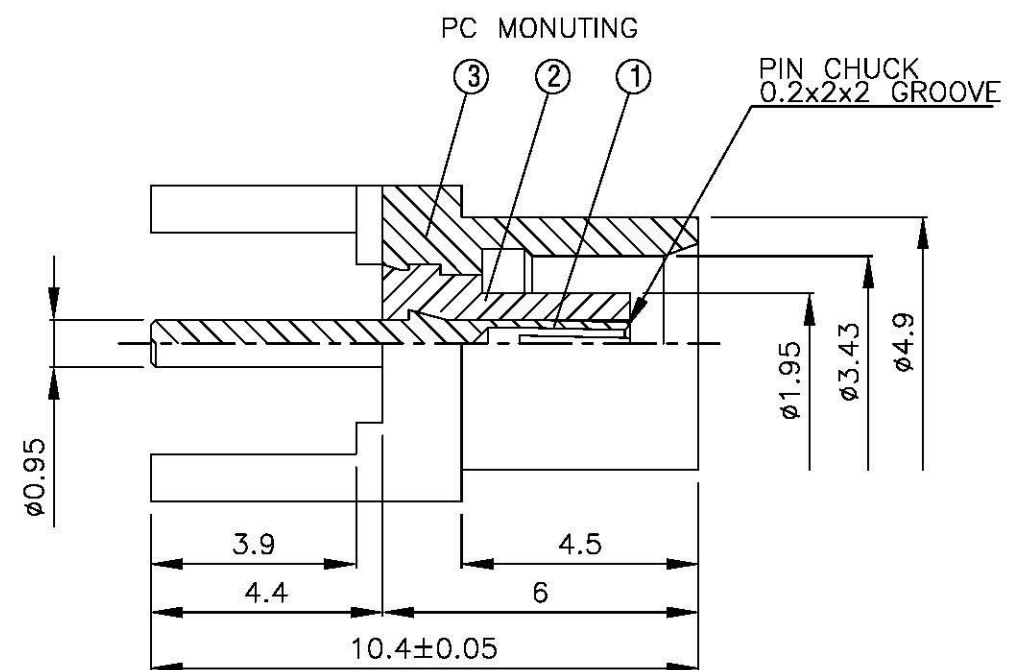
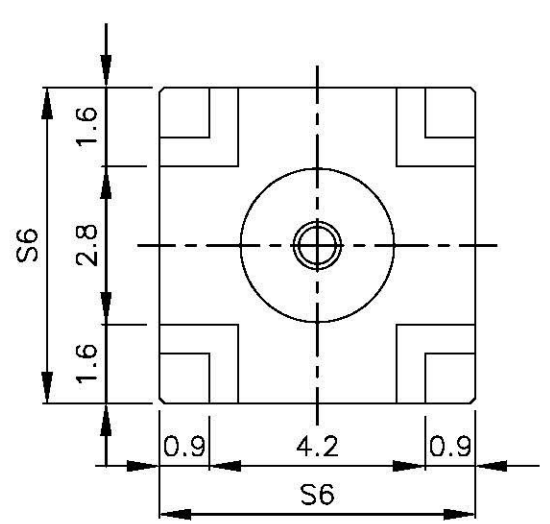
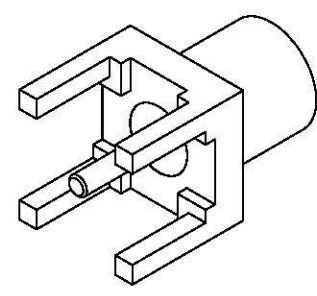
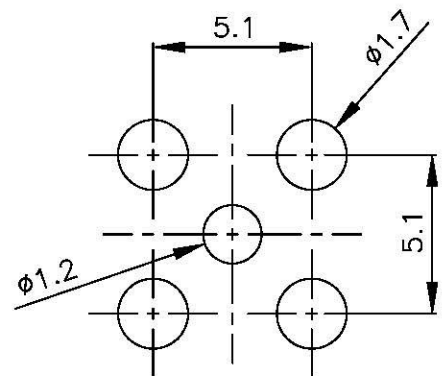


NO	DESCRIPTION	MATERIAL	Q'TY	FINISH	REMARK
1	PIN	BE CU	1	GOLD	P-MCX0087-G
2	INSULATION	TEFLON	1	TEFLON	I-0008T
3	BODY	BRASS	1	GOLD	B-MCX0136-G



**All Connectors**  
 www.allconnectors.de  
 info@allconnectors.de  
 Tel.: +0049 711 7009503 Fax: +0049 711 7009504  
 70751 Tübingen - Germany Kettelerstr. 25

TITLE **MCX JACK PCB MOUNT**  
 PART NO. **MCX-05-TGG**  
 DRAWING NO. **MCX 05 TGG**

DRAWN MARY DATE 96.05.04  
 CHECKED 黄巧君 DATE  
 Q.A. 蘇姿潔 DATE  
 APPROVAL 徐燦霖 DATE  
 REVISION DATE

DIMENSIONS ARE IN MILLIMETERS  
 UNLESS OTHERWISE SPECIFIED TOLERANCE  
 0.5-5=±0.2 120-315=±1  
 5-30=±0.4 315-1000=±1.6  
 30-120±0.6 1000-2000=±2.4  
 SCALE 4:1 SIZE A

REVISION  
 DESCRIPTION ENGINEER