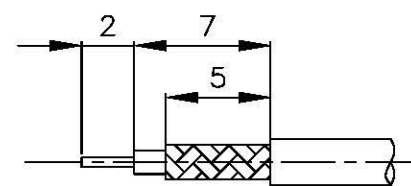
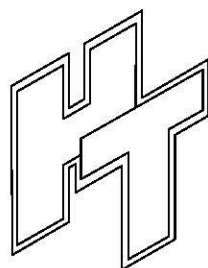
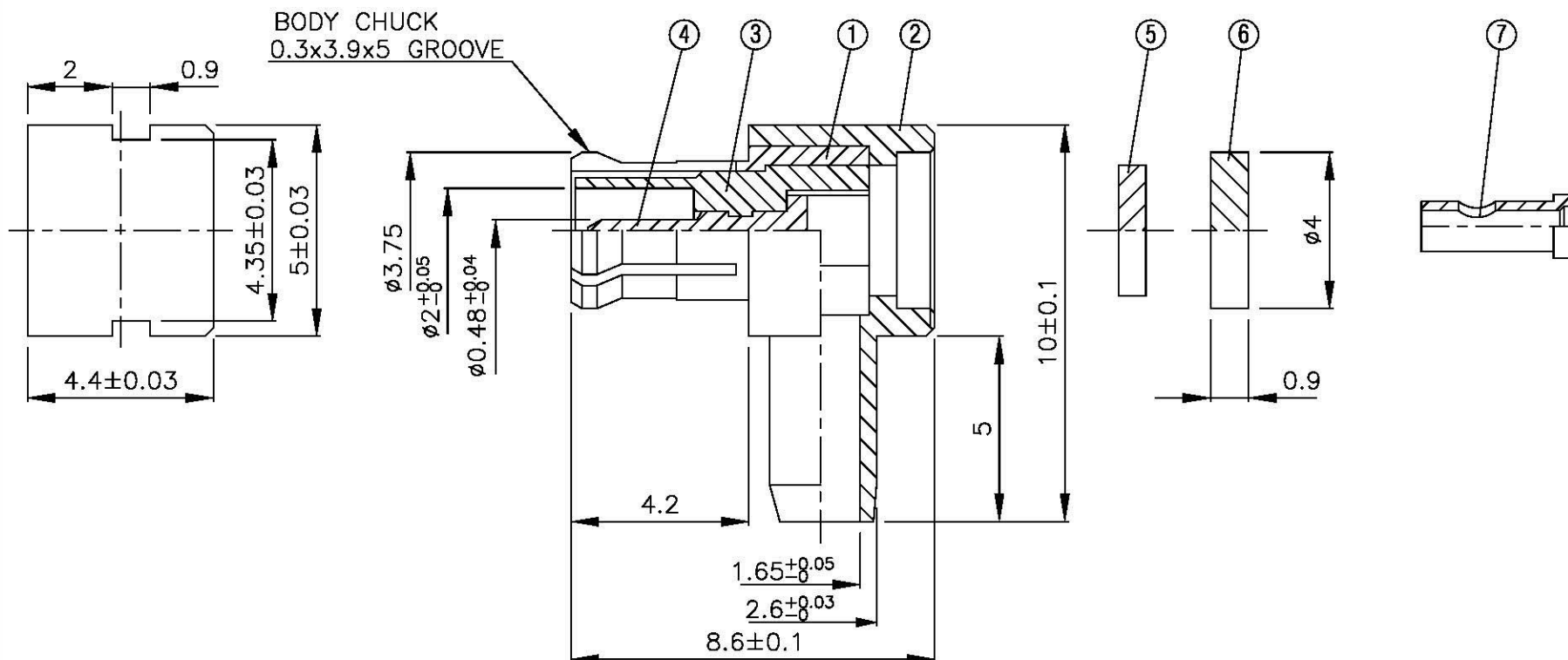
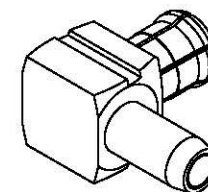


NO	DESCRIPTION	MATERIAL	Q'TY	FINISH	REMARK
1	BODY 1	BE CU	1	GOLD	B-MCX0129-G
2	BODY 2	BRASS	1	GOLD	B-MCX1133-G
3	INSULATION 1	TEFLON	1	TEFLON	I-0102T
4	PIN	BRASS	1	GOLD	P-MCX0018-G
5	INSULATION 2	TEFLON	1	TEFLON	I-0113T
6	WASHER	BRASS	1	GOLD	W-0017-G
7	BODY 3	BRASS	1	GOLD	B-SMA0903-G



(Recommended Stripping Dimension)



All Connectors
 www.allconnectors.de info@allconnectors.de
 TEL: 0049 711 7005003 FAX: 0049 711 7005004
 30754 Hildesheim, Germany Kollumerstr. 25

TITLE MCX MALE ANGLE
 CRIMP FOR 0.81 MM CABLE

PART NO. MCX-04U2-TGG

DRAWING NO. MCX 04U2 TGG

DRAWN	MARY	DATE	90.10.16
CHECKED	馮健華	DATE	
Q.A.	黃俊銘	DATE	
APPROVAL	陳福貴	DATE	
REVISION		DATE	

DIMENSIONS ARE IN MILLIMETERS			
UNLESS OTHERWISE SPECIFIED TOLERANCE			
0.5-5=±0.2	120-315=±1		
5-30=±0.4	315-1000=±1.6		
30-120±0.6	1000-2000=±2.4		
SCALE	4:1	SIZE	A

REVISION	
DESCRIPTION	ENGINEER