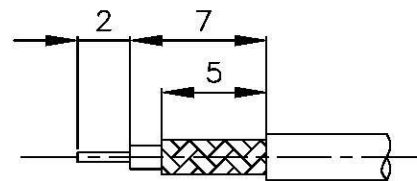
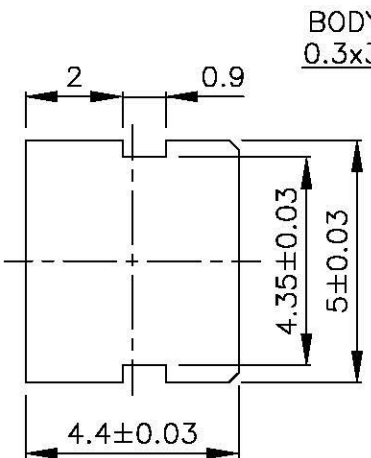
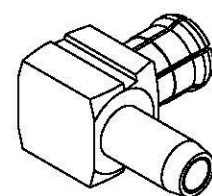


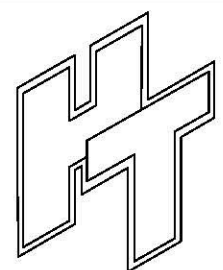
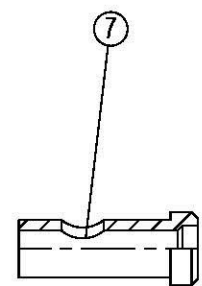
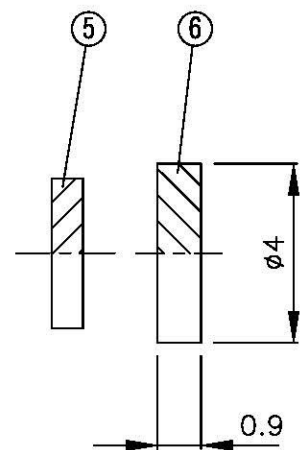
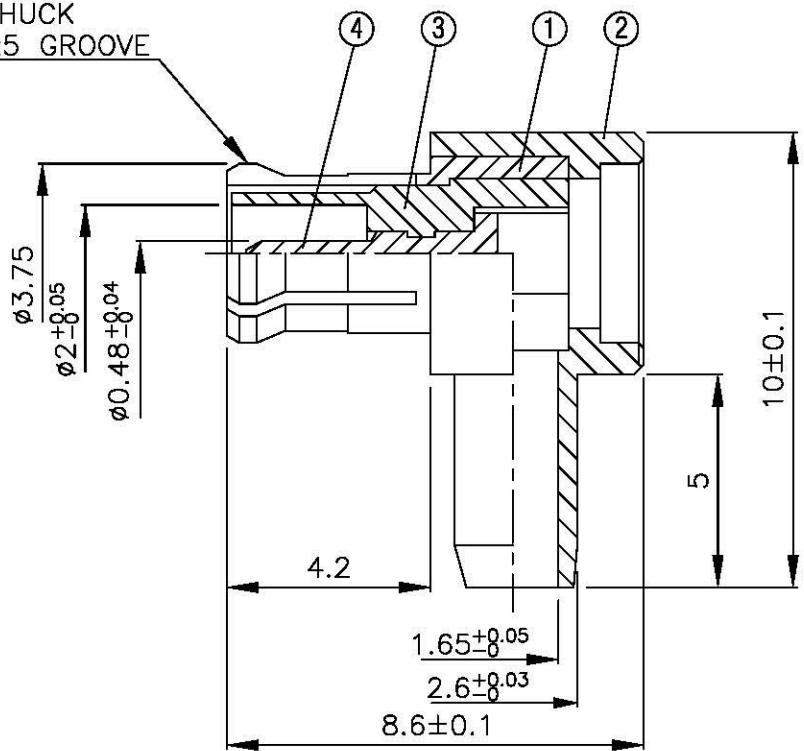
NO	DESCRIPTION	MATERIAL	Q'TY	FINISH	REMARK
1	BODY 1	BE CU	1	GOLD	B-MCX0129-G
2	BODY 2	BRASS	1	GOLD	B-MCX1133-G
3	INSULATION 1	TEFLON	1	TEFLON	I-0102T
4	PIN	BRASS	1	GOLD	P-MCX0018-G
5	INSULATION 2	TEFLON	1	TEFLON	I-0113T
6	WASHER	BRASS	1	GOLD	W-0017-G
7	BODY 3	BRASS	1	GOLD	B-SMA0902-G



(Recommended Stripping Dimension)



BODY CHUCK
0.3x3.9x5 GROOVE



All Connectors
www.allconnectors.de
Tel.: 0049 711 700550
info@allconnectors.de
Tel.: 0049 711 700550
Königsplatz 25

TITLE **MCX MALE ANGLE
CRIMP FOR 1.30 MM CABLE**

PART NO. **MCX-04U-TGG**

DRAWING NO. **MCX 04U TGG**

DRAWN **MARY** DATE **90.10.16**

CHECKED **馮健華** DATE

Q.A. **黃俊銘** DATE

APPROVAL **陳福貴** DATE

REVISION DATE

DIMENSIONS ARE IN MILLIMETERS

UNLESS OTHERWISE SPECIFIED TOLERANCE

0.5-5=±0.2 120-315=±1

5-30=±0.4 315-1000=±1.6

30-120±0.6 1000-2000=±2.4

SCALE **4:1** SIZE **A**

REVISION	
DESCRIPTION	ENGINEER