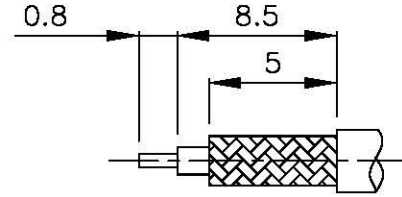
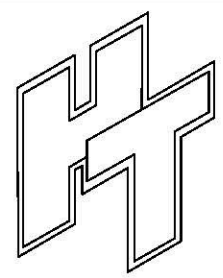
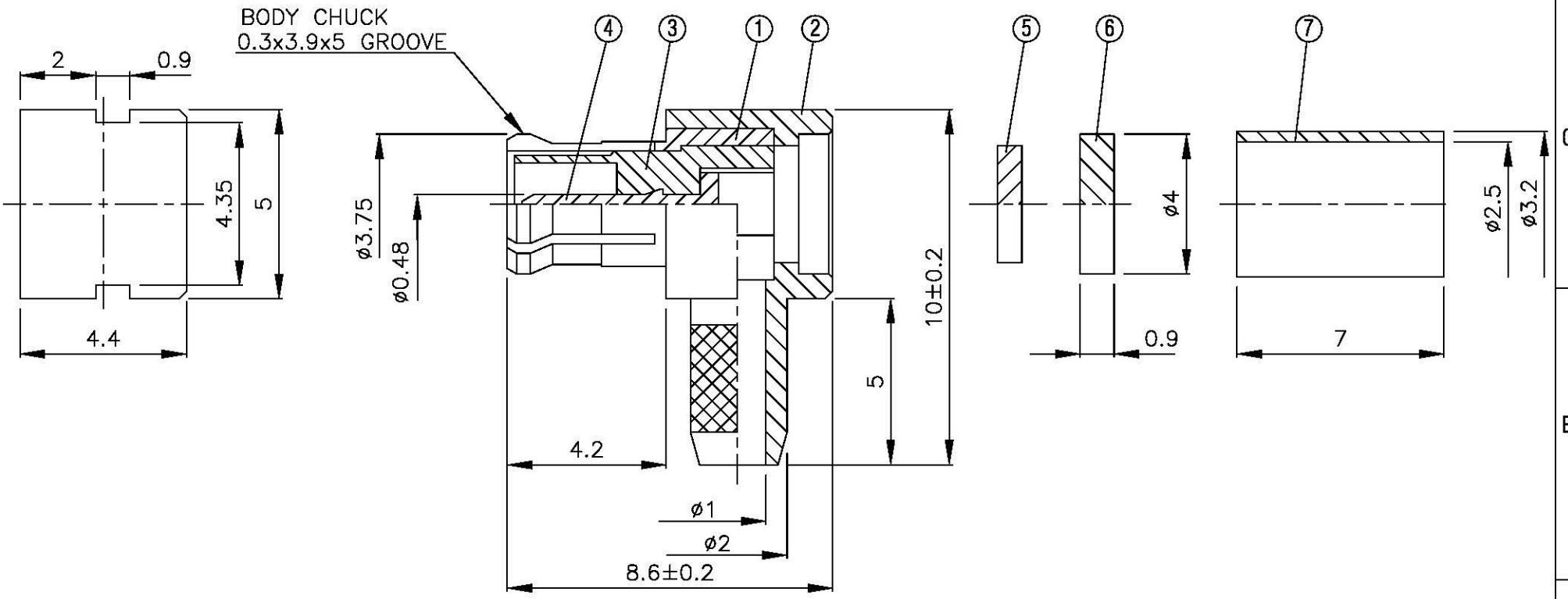
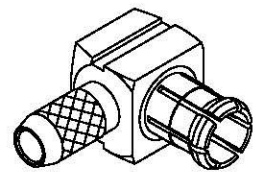


NO	DESCRIPTION	MATERIAL	Q'TY	FINISH	REMARK
1	BODY 1	BE CU	1	GOLD	B-MCX0129-G
2	BODY 2	BRASS	1	GOLD	B-MCX0130-G
3	INSULATION 1	TEFLON	1	TEFLON	I-0102T
4	PIN	BRASS	1	GOLD	P-MCX0437-G
5	INSULATION 2	TEFLON	1	TEFLON	I-0113T
6	WASHER	BRASS	1	GOLD	W-0017-G
7	RING	BRASS	1	GOLD	R-0038-G



(Recommended Stripping Dimension)



All Connectors
 www.allconnectors.com info@allconnectors.com
 30764 Pfladst. · Bismark Telefon: +49 4303 971
 30764 Pfladst. · Bismark Kollmannstr. 25

TITLE **MCX MALE ANGLE CRIMP FOR RG-178/U**

PART NO. **MCX-04M-TGG**

DRAWING NO. **MCX 04M TGG**

DRAWN	MARY	DATE	96.04.30
CHECKED	黄巧君	DATE	
Q.A.	蘇姿潔	DATE	
APPROVAL	徐燦霖	DATE	
REVISION		DATE	

DIMENSIONS ARE IN MILLIMETERS			
UNLESS OTHERWISE SPECIFIED TOLERANCE			
0.5-5=±0.2	120-315=±1		
5-30=±0.4	315-1000=±1.6		
30-120±0.6	1000-2000=±2.4		
SCALE	4:1	SIZE	A

REVISION	
DESCRIPTION	ENGINEER