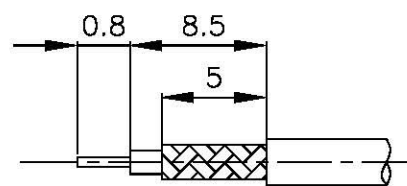
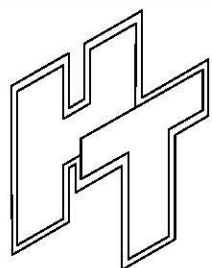
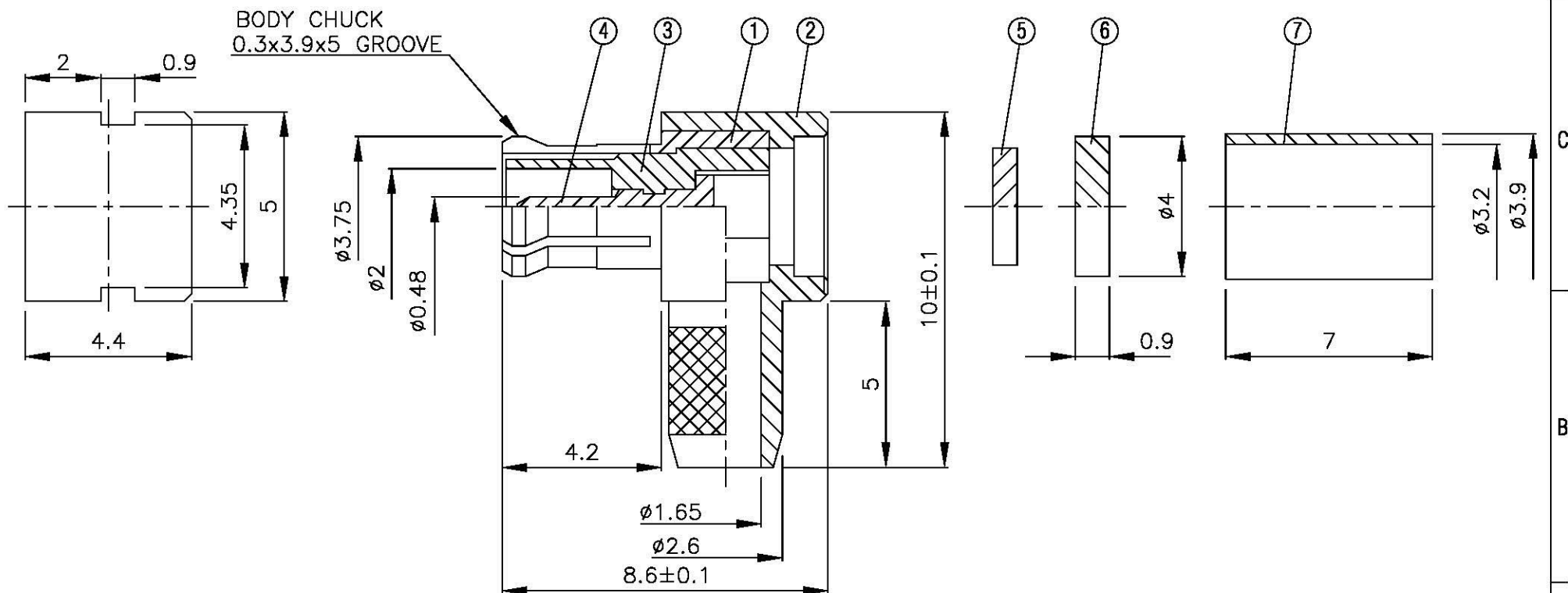
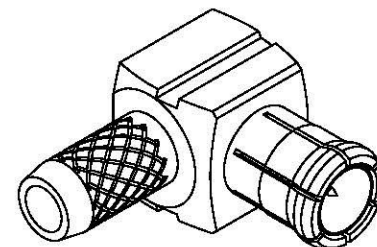


NO	DESCRIPTION	MATERIAL	Q'TY	FINISH	REMARK
1	BODY 1	BE CU	1	GOLD	B-MCX0129-G
2	BODY 2	BRASS	1	GOLD	B-MCX0130-G
3	INSULATION 1	TEFLON	1	TEFLON	I-0102T
4	PIN	BRASS	1	GOLD	P-MCX0018-G
5	INSULATION 2	TEFLON	1	TEFLON	I-0113I
6	WASHER	BRASS	1	GOLD	W-0017-G
7	RING	BRASS	1	GOLD	R-0001-G



(Recommended Stripping Dimension)



**All Connectors**

www.allconnectors.de  
Tel: +0049 711 7963503  
Rüdiger-Hildebrandt - Germany

info@allconnectors.de  
Fax: +0049 711 7963504  
Kettelerstr. 22

TITLE **MCX MALE ANGLE  
CRIMP FOR RG174U,316U**

PART NO. **MCX-04LV1-TGG**

DRAWING NO. **MCX 04LV1 TGG**

DRAWN **MARY** DATE **90.10.16**

CHECKED **黃巧君** DATE **96.01.09**

Q.A. **蘇姿潔** DATE

APPROVAL **徐燦霖** DATE

REVISION DATE

DIMENSIONS ARE IN MILLIMETERS

UNLESS OTHERWISE SPECIFIED  
TOLERANCE

0.5-5=±0.2 120-315=±1

5-30=±0.4 315-1000=±1.6

30-120±0.6 1000-2000=±2.4

SCALE **4:1** SIZE **A**

REVISION

DESCRIPTION	ENGINEER