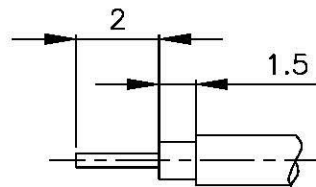
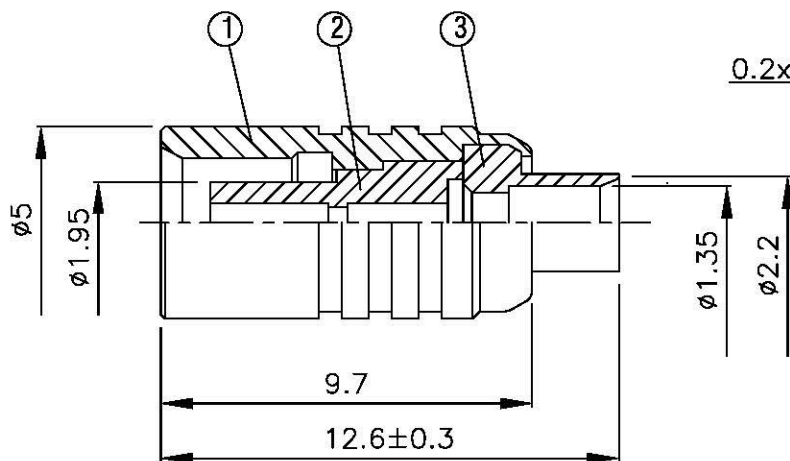
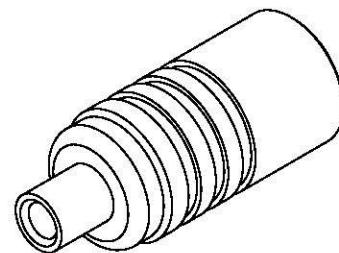


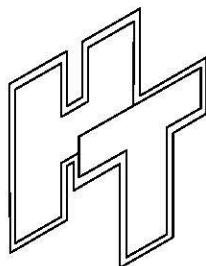
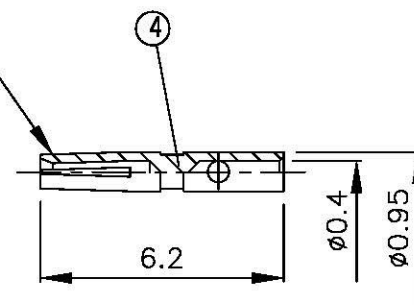
NO	DESCRIPTION	MATERIAL	Q'TY	FINISH	REMARK
1	BODY 1	BRASS	1	GOLD	B-MCX0039-G
2	INSULATION	TEFLON	1	TEFLON	I-0004T
3	BODY 2	BRASS	1	GOLD	B-MCX0150-G
4	PIN	BE CU	1	GOLD	P-MCX0081-G



(Recommended Stripping Dimension)



PIN CHUCK  
0.2x2x2 GROOVE



**All Connectors**

www.allconnectors.de info@allconnectors.de  
Tel: 0489 711 902503 Fax: 0489 711 902504  
70794 Allentzheim Germany K17100001R.20

TITLE **MCX FEMALE SOLDER  
FOR M17/151 (.047)**

PART NO. **MCX-02V3-TGG**

DRAWING NO. **MCX 02V3 TGG**

DRAWN **MARY**

CHECKED **黄巧君**

Q.A. **蘇姿潔**

APPROVAL **徐燦霖**

REVISION

DATE **96.04.30**

DATE

DATE

DATE

DATE

DIMENSIONS ARE IN MILLIMETERS

UNLESS OTHERWISE SPECIFIED  
TOLERANCE

0.5-5=±0.2 120-315=±1

5-30=±0.4 315-1000=±1.6

30-120±0.6 1000-2000=±2.4

SCALE **4:1** SIZE **A**

REVISION

DESCRIPTION ENGINEER