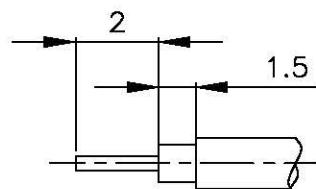
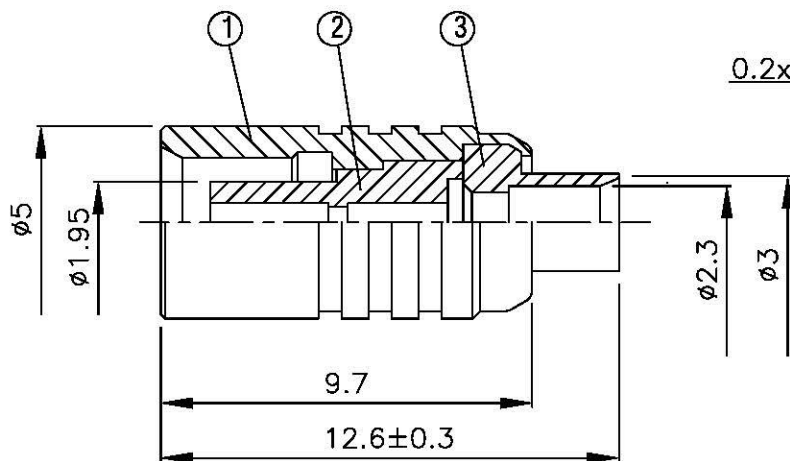
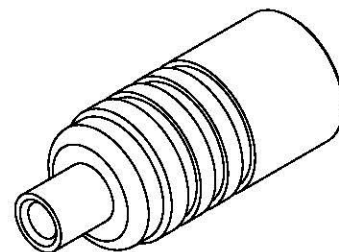


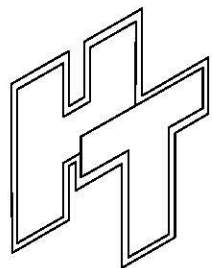
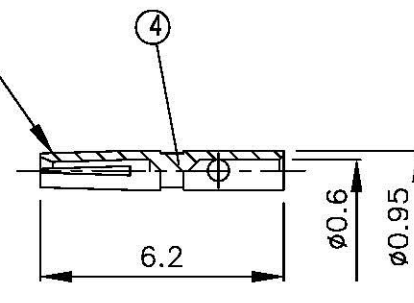
NO	DESCRIPTION	MATERIAL	Q'TY	FINISH	REMARK
1	BODY 1	BRASS	1	GOLD	B-MCX0039-G
2	INSULATION	TEFLON	1	TEFLON	I-0004T
3	BODY 2	BRASS	1	GOLD	B-MCX0149-G
4	PIN	BE CU	1	GOLD	P-MCX0079-G



(Recommended Stripping Dimension)



PIN CHUCK  
0.2x2x2 GROOVE



HUS-TSAN GROUP CO., LTD.

P.O. BOX 40-76. TAINAN. TAIWAN, R.O.C.

TITLE MCX FEMALE SOLDER FOR RG405 (.085)

PART NO. MCX-02V1-TGG

DRAWING NO. MCX 02V1 TGG

DRAWN MARY

DATE 96.04.30

CHECKED 黄巧君

DATE

Q.A. 蘇姿潔

DATE

APPROVAL 徐燦霖

DATE

REVISION

DATE

DIMENSIONS ARE IN MILLIMETERS

UNLESS OTHERWISE SPECIFIED TOLERANCE

0.5-5 =  $\pm 0.2$  120-315 =  $\pm 1$

5-30 =  $\pm 0.4$  315-1000 =  $\pm 1.6$

30-120 =  $\pm 0.6$  1000-2000 =  $\pm 2.4$

SCALE 4:1 SIZE A

REVISION

DESCRIPTION ENGINEER