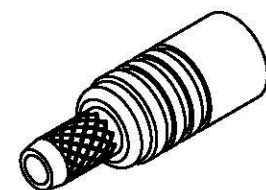
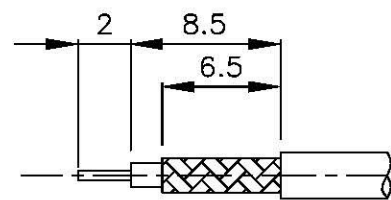
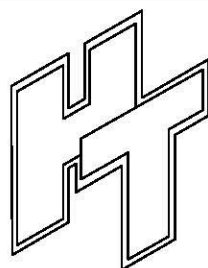
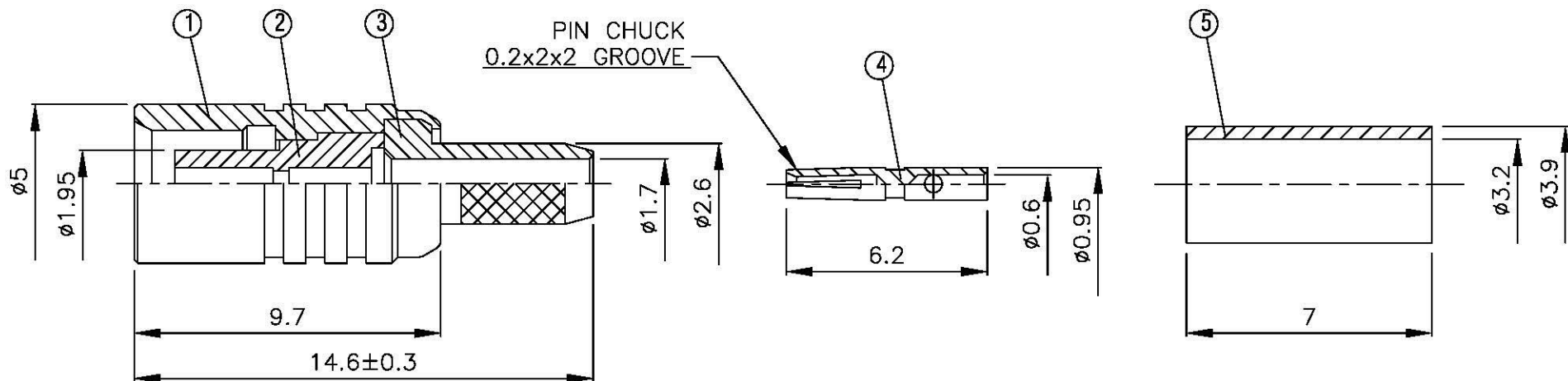


NO	DESCRIPTION	MATERIAL	Q'TY	FINISH	REMARK
1	BODY 1	BRASS	1	GOLD	B-MCX0039-G
2	INSULATION	TEFLON	1	TEFLON	I-0004T
3	BODY 2	BRASS	1	GOLD	B-MCX0040-G
4	PIN	BE CU	1	GOLD	P-MCX0079-G
5	RING	BRASS	GOLD	R-0001-G	



(Recommended Stripping Dimension)



All Connectors

www.allconnectors.de info@allconnectors.de
Tel: 0049-431-2095800 Fax: 0049-431-2095809
29274 Fildesheim - Germany Kellernweg 25

TITLE MCX FEMALE CRIMP FOR RG174U,316U

PART NO. MCX-02LV1-TGG

DRAWING NO. MCX 02LV1 TGG

DRAWN MARY

DATE 96.04.30

CHECKED 黄巧君

DATE 96.04.30

Q.A. 蘇姿潔

DATE

APPROVAL 徐燦霖

DATE

REVISION

DATE

DIMENSIONS ARE IN MILLIMETERS

UNLESS OTHERWISE SPECIFIED TOLERANCE

0.5-5=±0.2	120-315=±1
5-30=±0.4	315-1000=±1.6
30-120±0.6	1000-2000=±2.4

SCALE 4:1 SIZE A

REVISION

DESCRIPTION	ENGINEER