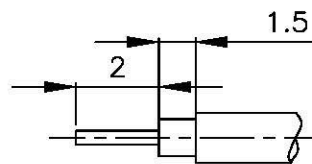
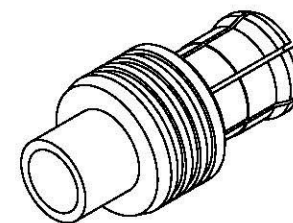


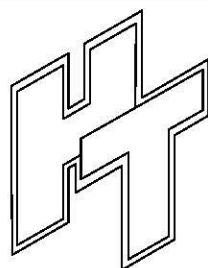
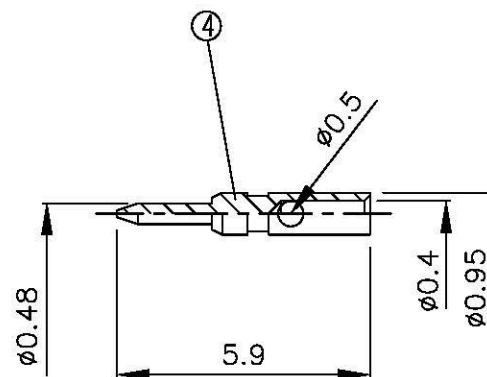
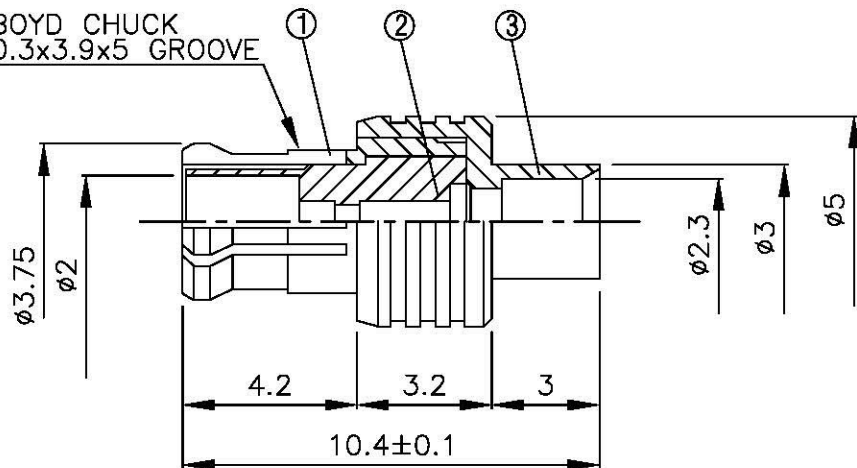
NO	DESCRIPTION	MATERIAL	Q'TY	FINISH	REMARK
1	BODY 1	BE CU	1	GOLD	B-MCX0028-G
2	INSULATION	TEFLON	1	TEFLON	I-0003T
3	BODY 2	BRASS	1	GOLD	B-MCX0127-G
4	PIN	BRASS	1	GOLD	P-MCX0078-G



(Recommended Stripping Dimension)



BOYD CHUCK
0.3x3.9x5 GROOVE



All Connectors
www.allconnectors.de
In: 0334 771 200-0
KUNO Hilberstadt - Germany

TITLE MCX MALE SOLDER FOR RG405 (.085)

PART NO. MCX-01V1-TGG

DRAWING NO. MCX 01V1 TGG

DRAWN MARY DATE 96.05.01

CHECKED 黄巧君 DATE

Q.A. 蘇姿潔 DATE

APPROVAL 徐燦霖 DATE

REVISION DATE

DIMENSIONS ARE IN MILLIMETERS

UNLESS OTHERWISE SPECIFIED TOLERANCE

0.5-5=±0.2	120-315=±1
5-30=±0.4	315-1000=±1.6
30-120±0.6	1000-2000=±2.4

SCALE 4:1 SIZE A

REVISION

DESCRIPTION	ENGINEER