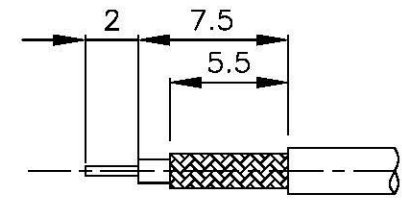
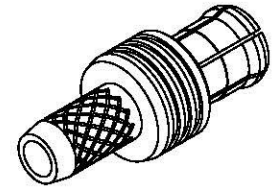


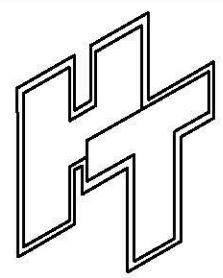
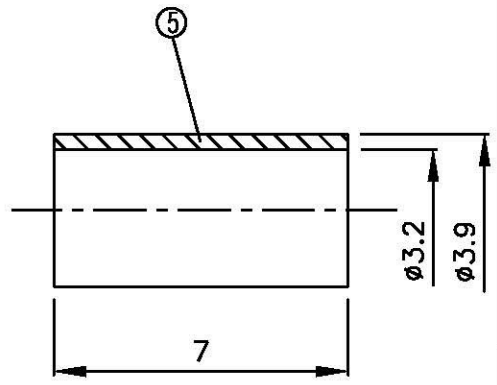
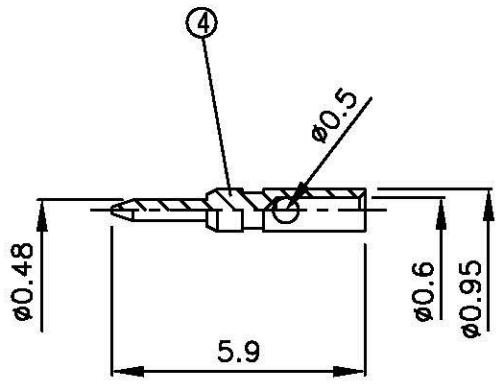
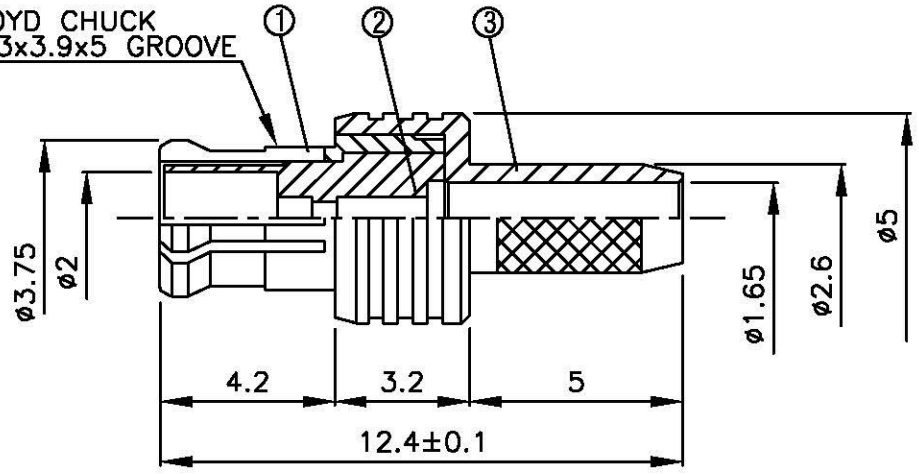
NO	DESCRIPTION	MATERIAL	Q'TY	FINISH	REMARK
1	BODY 1	BE CU	1	GOLD	B-MCX0028-G
2	INSULATION	TEFLON	1	TEFLON	I-0003T
3	BODY 2	BRASS	1	GOLD	B-MCX0010-G
4	PIN	BRASS	1	GOLD	P-MCX0078-G
5	RING	BRASS	GOLD	R-0001-G	



(Recommended Stripping Dimension)



BOYD CHUCK
0.3x3.9x5 GROOVE



All Connectors
www.allconnectors.de
Tel: 0549 711 209708
20754 Hildesheim, Germany

TITLE **MCX MALE CRIMP FOR RG316U**
PART NO. **MCX-01LV1-TGG**
DRAWING NO. **MCX 01LV1 TGG**

DRAWN **MARY** DATE **96.04.30**
CHECKED **黃巧君** DATE **96.04.30**
Q.A. **蘇姿潔** DATE
APPROVAL **徐燦霖** DATE
REVISION DATE

DIMENSIONS ARE IN MILLIMETERS
UNLESS OTHERWISE SPECIFIED TOLERANCE
0.5-5=±0.2 120-315=±1
5-30=±0.4 315-1000=±1.6
30-120±0.6 1000-2000=±2.4
SCALE **4:1** SIZE **A**

REVISION	
DESCRIPTION	ENGINEER