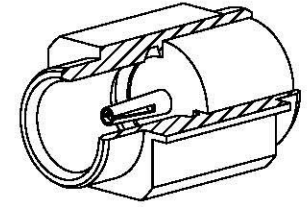
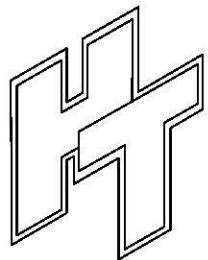
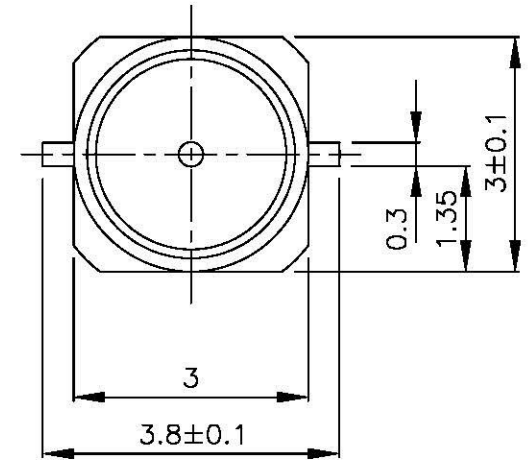
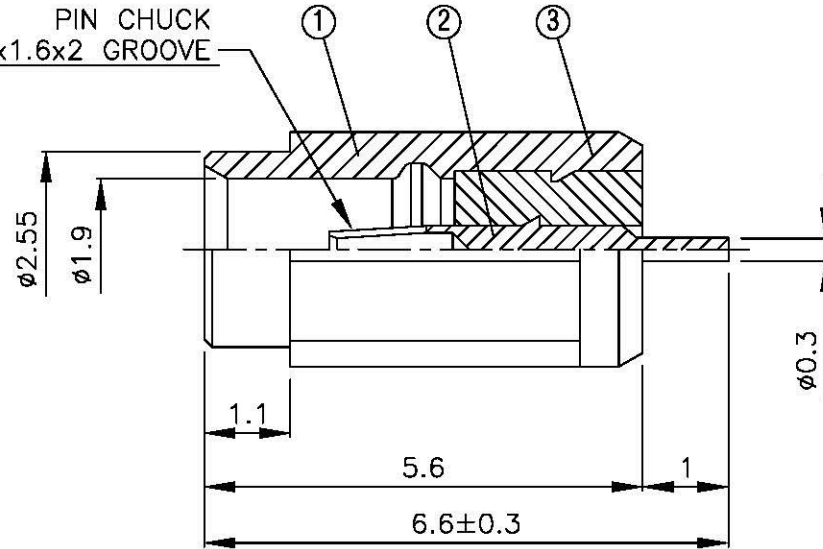


NO	DESCRIPTION	MATERIAL	Q'TY	FINISH	REMARK
1	BODY	BRASS	1	GOLD	B-MCCD0327-G
2	PIN	BE CU	1	GOLD	P-MCCD0202-G
3	INSULATION	TEFLON	1	TEFLON	I-0156T



PIN CHUCK
0.2x1.6x2 GROOVE



All Connectors

www.allconnectors.de
Tel.: 0049 7333 7000500
70794 Filberstadt, Germany

info@allconnectors.de
Fax: 0049 7333 7000501
Kollmeyerstr. 25

TITLE
MC-CARD FEMALE CONNECTOR

PART NO. MCCD-06-TGG

DRAWING NO. MCCD 06 TGG

DRAWN MARY DATE 96.07.07

CHECKED 蘇志欣 DATE

Q.A. 蘇姿潔 DATE

APPROVAL 徐燦霖 DATE

REVISION DATE

DIMENSIONS ARE IN MILLIMETERS

UNLESS OTHERWISE SPECIFIED
TOLERANCE

0.5-5 = ± 0.2 120-315 = ± 1

5-30 = ± 0.4 315-1000 = ± 1.6

30-120 = ± 0.6 1000-2000 = ± 2.4

SCALE 4:1 SIZE A

REVISION

DESCRIPTION ENGINEER

D

D

C

C

B

B

A

A

4

3

2

1