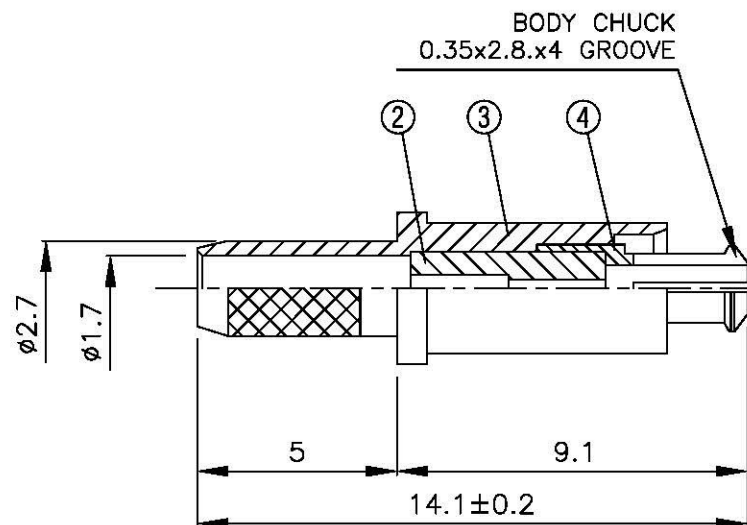
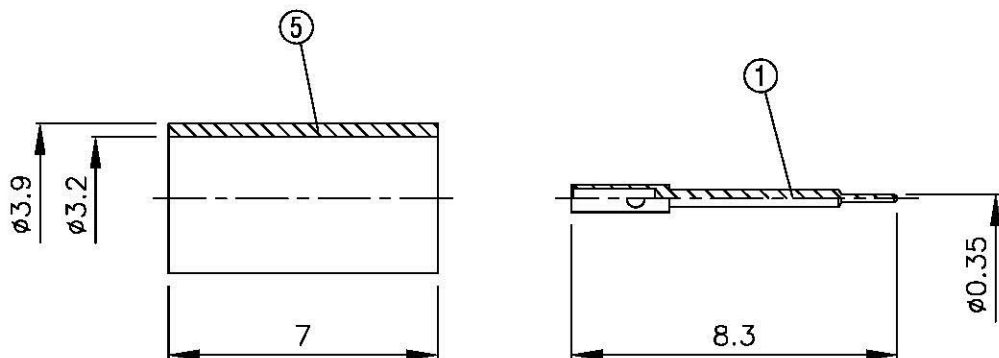
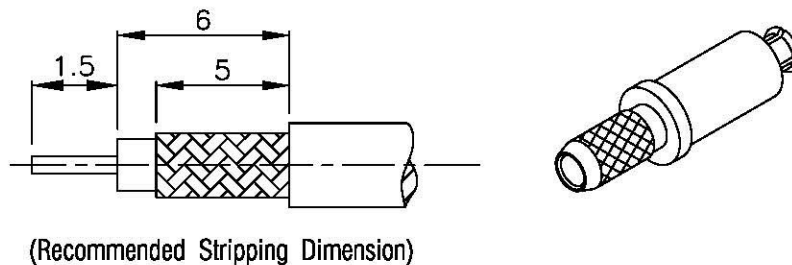
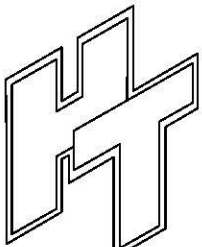



NO	DESCRIPTION	MATERIAL	Q'TY	FINISH	REMARK
1	PIN	PH.BRONZE	1	GOLD	P-MCCD0369-G
2	INSULATION	TEFLON	1	TEFLON	I-0157T
3	BODY 1	BRASS	1	NICKEL	B-MCCD0569-N
4	BODY 2	BE CU	1	GOLD	B-MCCD0300-G
5	RING	BRASS	1	NICKEL	R-0001-G



		DRAWN	MARY	DATE	96.05.16	DIMENSIONS ARE IN MILLIMETERS		REVISION		
	<small>www.allconnectors.de Tel.: 0049 711 7002800 Allconnectors GmbH Germany</small>	<small>info@allconnectors.de Fax: 0049 711 7002804 Germany</small>	CHECKED	黃巧君	DATE	96.05.16	UNLESS OTHERWISE SPECIFIED TOLERANCE		DESCRIPTION	ENGINEER
	TITLE		MC CARD MALE CRIMP FOR	Q.A.	蘇姿潔	DATE	0.5-5=±0.2	120-315=±1		
	PART NO.		MCCD-01LV1-TGN	APPROVAL	徐燦霖	DATE	5-30=±0.4	315-1000=±1.6		
	DRAWING NO.		MCCD 01LV1 TGN	REVISION		DATE	30-120±0.6	1000-2000=±2.4		
				SCALE	4:1	SIZE	A			