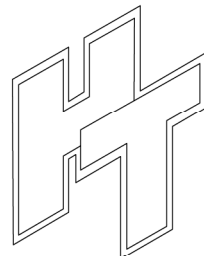
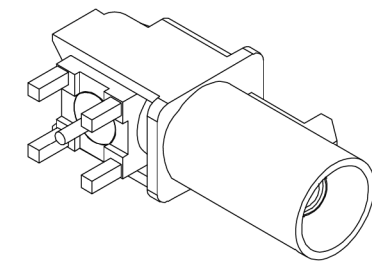
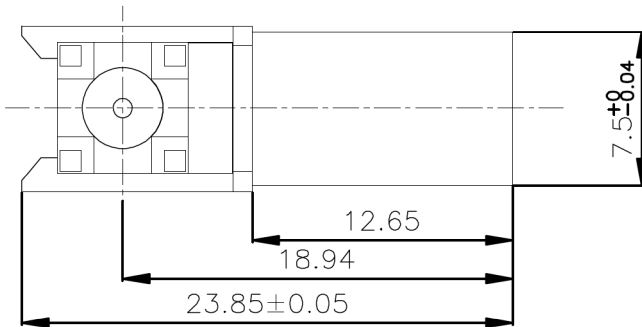
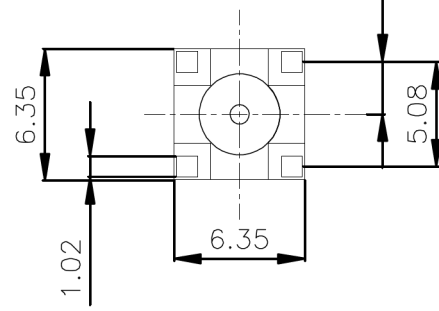
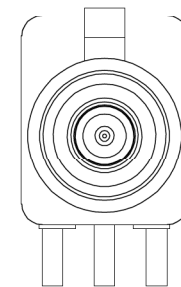
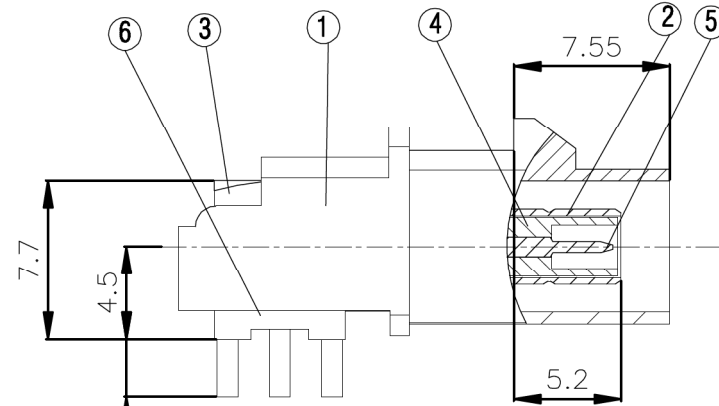
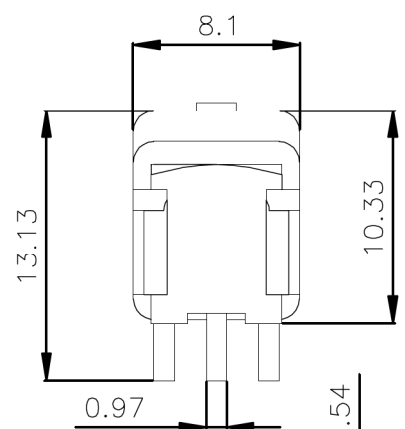
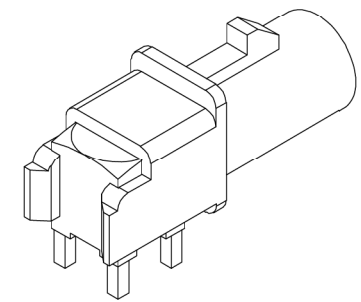
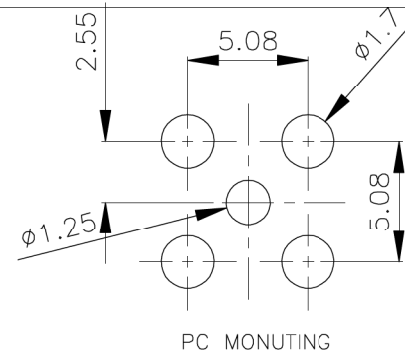


NO	DESCRIPTION	MATERIAL	Q'TY	FINISH	REMARK
1	BODY 1	PBT	1	PBT	B-FKR1530-Z51
2	BODY 2	BRASS	1	NICKEL	B-FKR1536-N
3	BODY 3	BRASS	1	NICKEL	B-FKR0457-N
4	INSULATION 1	TEFLON	1	TEFLON	I-0698T
5	PIN	PH.BRONZE	1	GOLD	P-FKR0581-G
6	INSULATION 1	TEFLON	1	TEFLON	I-0563T



Allconnectors
 www.allconnectors.eu | info@allconnectors.eu
 Tel. +49 (0)711 / 358 110 20 | Fax +49 (0)711 / 358 110 25

TITLE FAKRA PLUG PCB MOUNT

PART NO. FKR-06V4-TGNPZ

DRAWING NO. FKR 06V4 TGNPZ

DRAWN 蘇姿潔 DATE 99.01.14

CHECKED 蘇志欣 DATE

Q.A. 林妙樺 DATE

APPROVAL 徐燦霖 DATE

REVISION DATE

DIMENSIONS ARE IN MILLIMETERS

UNLESS OTHERWISE SPECIFIED TOLERANCE

0.5-5 = ±0.2 120-315 = ±1

5-30 = ±0.4 315-1000 = ±1.6

30-120 = ±0.6 1000-2000 = ±2.4

SCALE 4:1 SIZE A

REVISION	
DESCRIPTION	ENGINEER