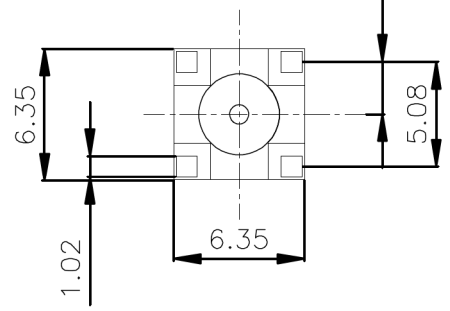
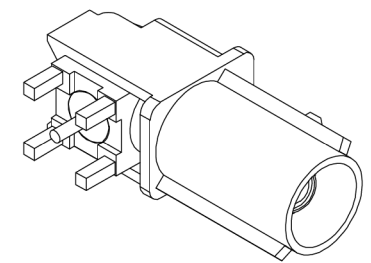
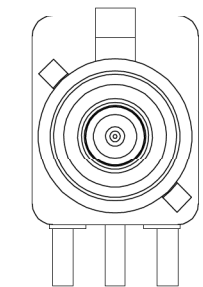
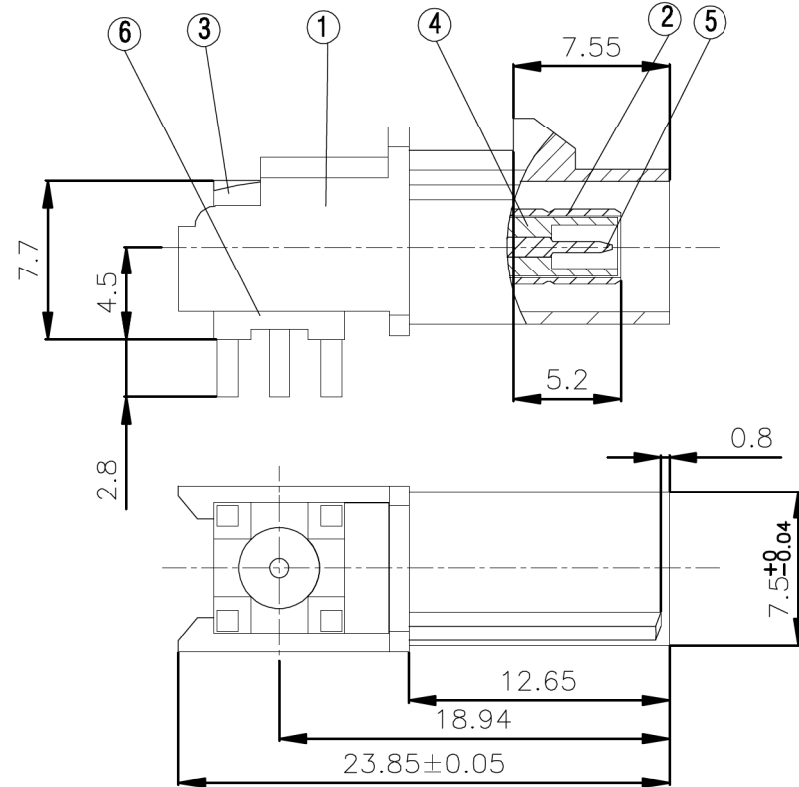
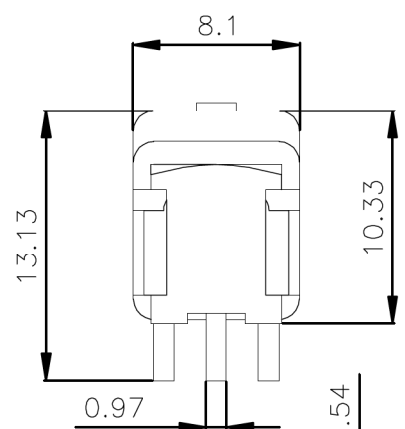
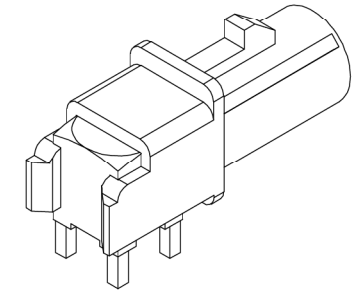
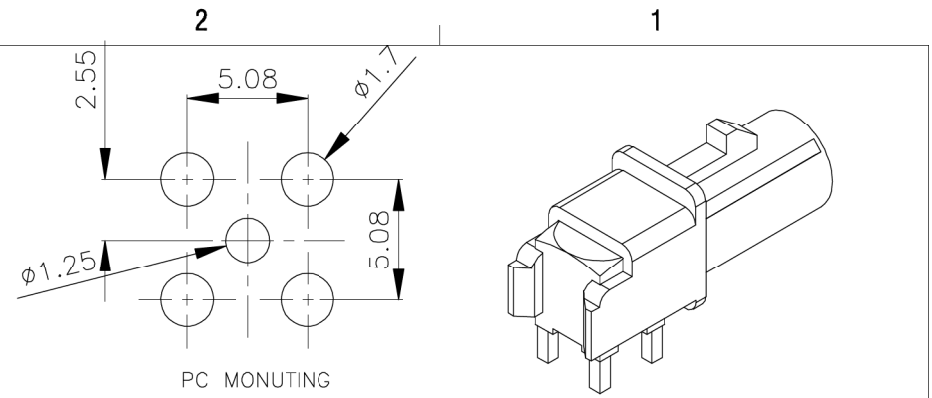
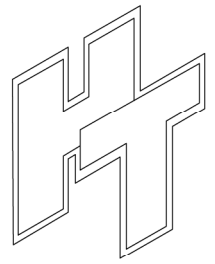


NO	DESCRIPTION	MATERIAL	Q'TY	FINISH	REMARK
1	BODY 1	PBT	1	PBT	B-FKR1530-C55
2	BODY 2	BRASS	1	NICKEL	B-FKR1536-N
3	BODY 3	BRASS	1	NICKEL	B-FKR0457-N
4	INSULATION 1	TEFLON	1	TEFLON	I-0698T
5	PIN	PH.BRONZE	1	GOLD	P-FKR0581-G
6	INSULATION 1	TEFLON	1	TEFLON	I-0563T



D  
C  
B  
A

D  
C  
B  
A



**Allconnectors**  
 www.allconnectors.eu | info@allconnectors.eu  
 Tel. +49 (0)711 / 358 110 20 | Fax +49 (0)711 / 358 110 25

TITLE **FAKRA PLUG PCB MOUNT**

PART NO. **FKR-06V4-TGNPC**

DRAWING NO. **FKR 06V4 TGNPC**

DRAWN **蘇姿潔** DATE **99.01.13**

CHECKED **蘇志欣** DATE

Q.A. **林妙樺** DATE

APPROVAL **徐燦霖** DATE

REVISION DATE

DIMENSIONS ARE IN MILLIMETERS

UNLESS OTHERWISE SPECIFIED TOLERANCE

0.5-5=±0.2    120-315=±1

5-30=±0.4    315-1000=±1.6

30-120=±0.6    1000-2000=±2.4

SCALE 4:1    SIZE A

REVISION	
DESCRIPTION	ENGINEER