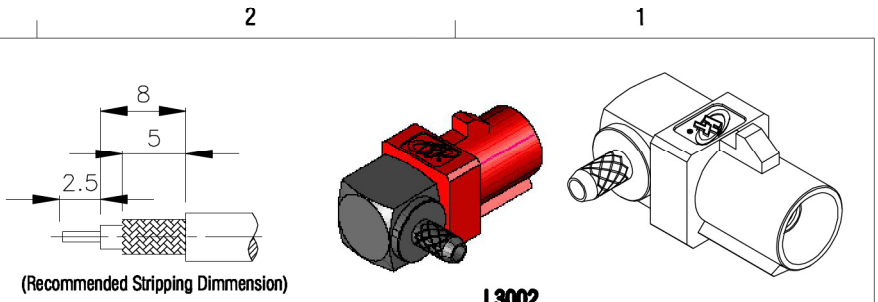


NO	DESCRIPTION	MATERIAL	Q'TY	FINISH	REMARK
1	BODY 1	PBT	1	PBT	B-FKR1350-L32
2	BODY 2	PBT	1	PBT	B-FKR1308
3	BODY 3	BRASS	1	NICKEL	B-SMA0674-N
4	INSULATION 1	TEFLON	1	TEFLON	I-0481T
5	BODY 3	BRASS	1	NICKEL	B-FKR1351-N
6	PIN	BE CU	1	GOLD	P-SMB0305-G
7	RING	BRASS	1	GOLD	R-0002-G
8	INSULATION 2	TEFLON	1	TEFLON	I-0136T
9	WASHER 2	BRASS	1	NICKEL	W-0023-N



D

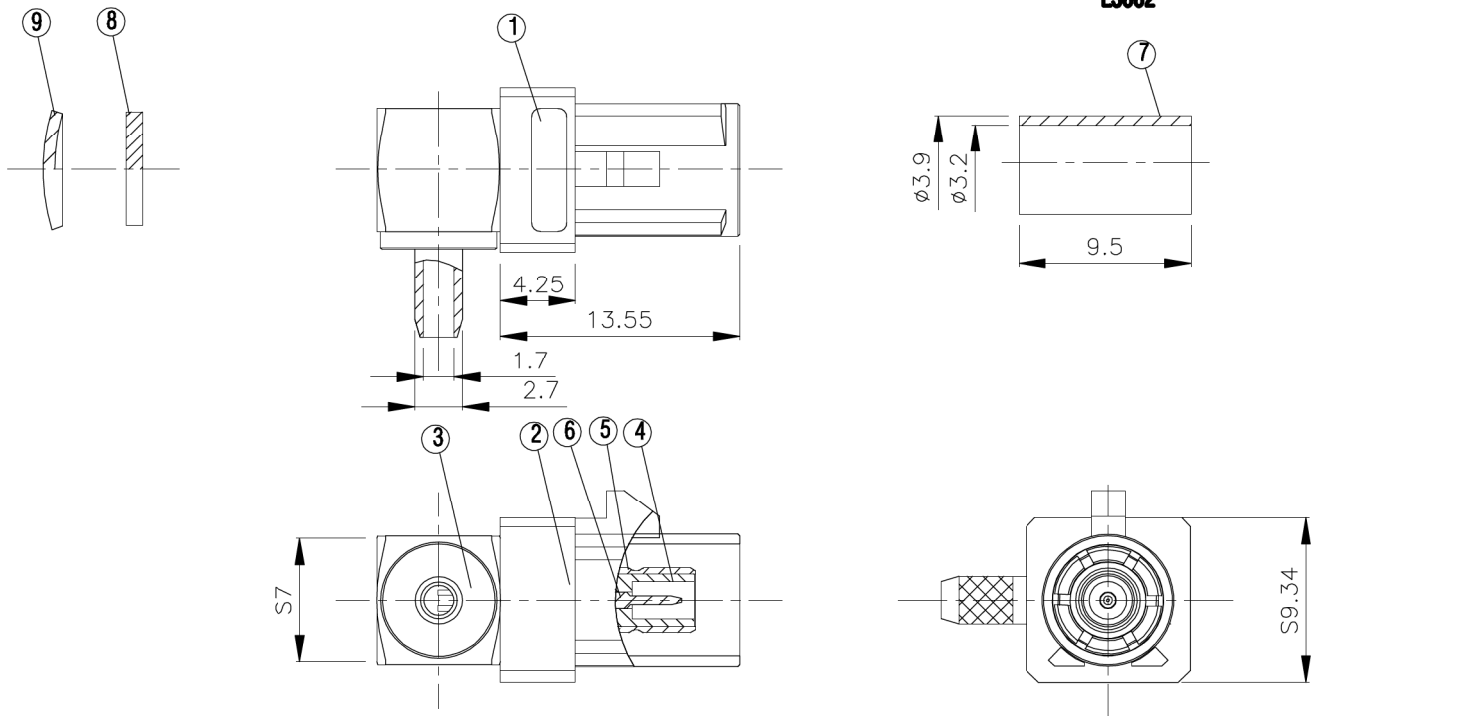
D

C

C

B

B



A

A

	<b>All Connectors</b> <small>www.allconnectors.eu   info@allconnectors.eu Tel. +49 (0)711 / 358 110 20   Fax +49 (0)711 / 358 110 25</small>	DRAWN <b>蘇姿潔</b> DATE <b>98.01.12</b>	DIMENSIONS ARE IN MILLIMETERS		REVISION	
	TITLE <b>SMB FEMALE CRIMP</b> TYPE RG-174/U RG-316/U	CHECKED <b>蘇志欣</b> DATE	UNLESS OTHERWISE SPECIFIED TOLERANCE		DESCRIPTION	ENGINEER
	PART NO. <b>FKR-04LV1-TGNPL</b>	Q.A. <b>林妙樺</b> DATE	0.5-5=±0.2    120-315=±1			
	DRAWING NO. <b>FKR 04LV1 TGNPL</b>	APPROVAL <b>徐燦霖</b> DATE	5-30=±0.4    315-1000=±1.6			
		REVISION DATE	30-120±0.6    1000-2000=±2.4	SCALE <b>4:1</b>	SIZE <b>A</b>	

4

3

2

1