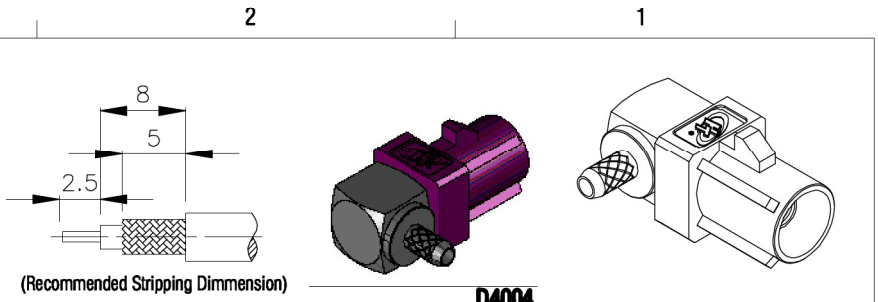


| NO | DESCRIPTION  | MATERIAL | Q'TY | FINISH | REMARK        |
|----|--------------|----------|------|--------|---------------|
| 1  | BODY 1       | PBT      | 1    | PBT    | B-FKR1350-D44 |
| 2  | BODY 2       | PBT      | 1    | PBT    | B-FKR1308     |
| 3  | BODY 3       | BRASS    | 1    | NICKEL | B-SMA0674-N   |
| 4  | INSULATION 1 | TEFLON   | 1    | TEFLON | I-0481T       |
| 5  | BODY 3       | BRASS    | 1    | NICKEL | B-FKR1351-N   |
| 6  | PIN          | BE CU    | 1    | GOLD   | P-SMB0305-G   |
| 7  | RING         | BRASS    | 1    | GOLD   | R-0002-G      |
| 8  | INSULATION 2 | TEFLON   | 1    | TEFLON | I-0136T       |
| 9  | WASHER 2     | BRASS    | 1    | NICKEL | W-0023-N      |



D

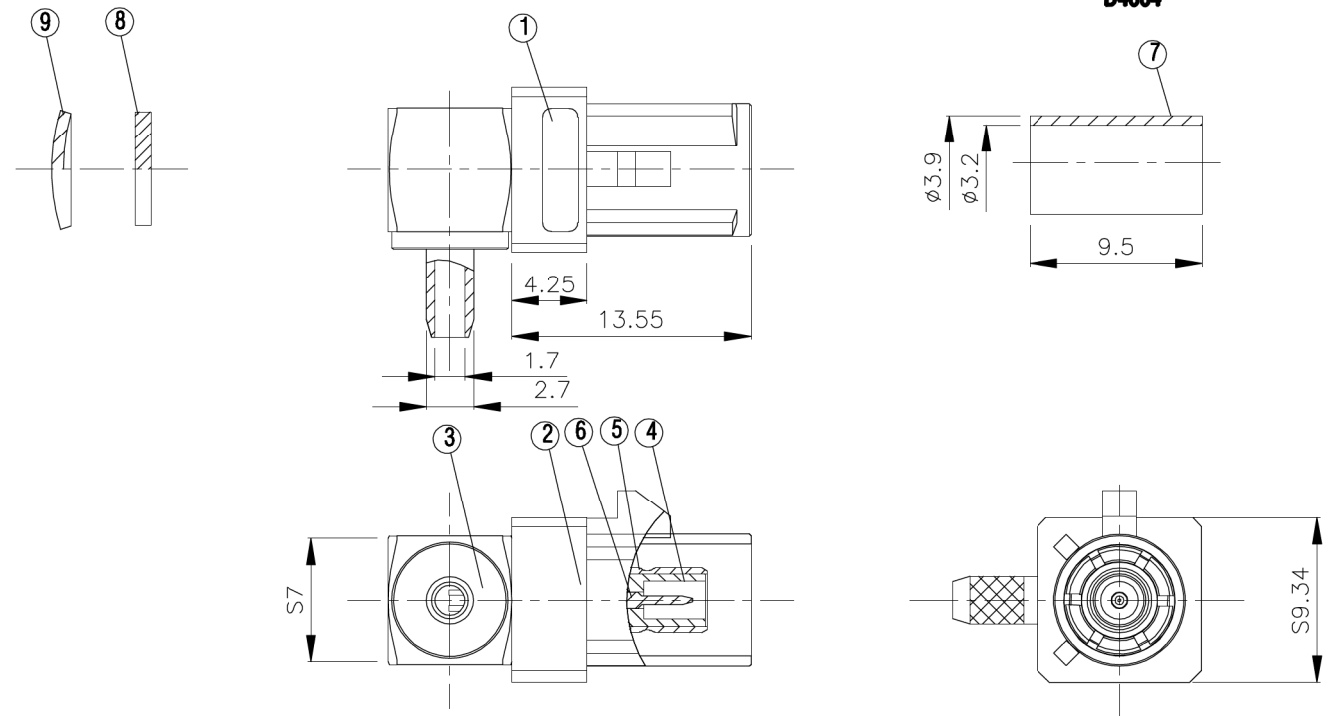
D

C

C

B

B



A

A

|  |   |                                       |                                      |                  |               |          |
|--|---|---------------------------------------|--------------------------------------|------------------|---------------|----------|
|  | <b>All Connectors</b><br><small>www.allconnectors.eu   info@allconnectors.eu<br/>         Tel: +49 (0)711 / 358 110 20   Fax: +49 (0)711 / 358 110 25</small> | DRAWN <b>蘇姿潔</b> DATE <b>98.01.12</b> | DIMENSIONS ARE IN MILLIMETERS        |                  | REVISION      |          |
|  | TITLE <b>SMB FEMALE CRIMP</b><br>TYPE RG-174/U RG-316/U   | CHECKED <b>蘇志欣</b> DATE               | UNLESS OTHERWISE SPECIFIED TOLERANCE |                  | DESCRIPTION   | ENGINEER |
|  | PART NO. <b>FKR-04LV1-TGNPD</b>   | Q.A. <b>林妙樺</b> DATE                  | 0.5-5=±0.2    120-315=±1             |                  |               |          |
|  | DRAWING NO. <b>FKR 04LV1 TGNPD</b>  | APPROVAL <b>徐燦霖</b> DATE              | 5-30=±0.4    315-1000=±1.6           |                  |               |          |
|  |   | REVISION DATE                         | 30-120±0.6    1000-2000=±2.4         | SCALE <b>4:1</b> | SIZE <b>A</b> |          |

4

3

2

1