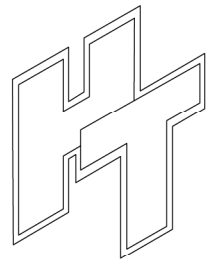
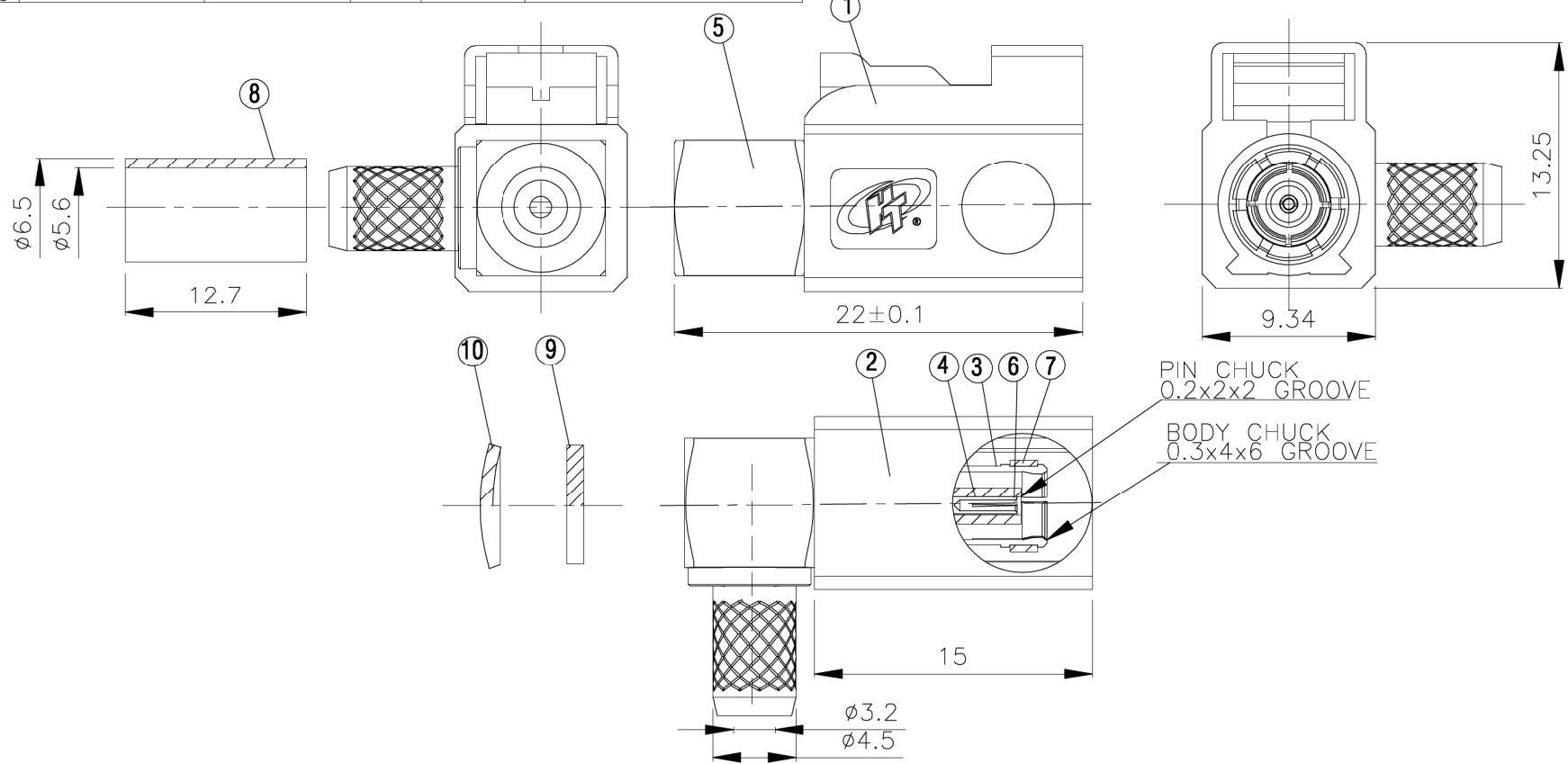
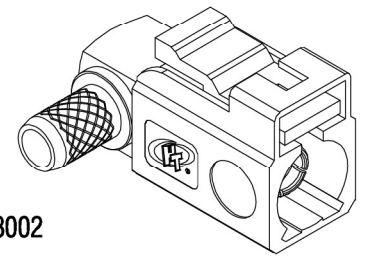
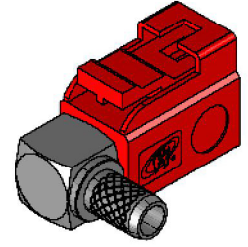
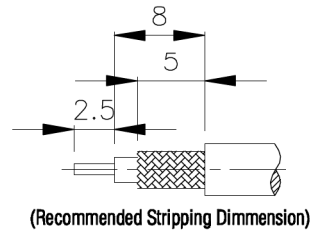


| NO | DESCRIPTION  | MATERIAL | Q'TY | FINISH | REMARK        |
|----|--------------|----------|------|--------|---------------|
| 1  | BODY 1       | PBT      | 1    | PBT    | B-FKR1348-L32 |
| 2  | BODY 2       | PBT      |      | PBT    | B-FKR1308     |
| 3  | BODY 3       | BRASS    | 1    | GOLD   | B-FKR1349-N   |
| 4  | INSULATION 1 | TEFLON   | 1    | TEFLON | I-0472T       |
| 5  | BODY 4       | BRASS    | 1    | NICKEL | B-SMB0589-N   |
| 6  | PIN          | BE CU    | 1    | GOLD   | P-SMB0933-G   |
| 7  | WASHER 1     | BE CU    | 1    | GOLD   | W-0035        |
| 8  | RING         | BRASS    | 1    | GOLD   | R-0007-G      |
| 9  | INSULATION 2 | TEFLON   | 1    | TEFLON | I-0146T       |
| 10 | WASHER 2     | BRASS    | 1    | NICKEL | W-0057-N      |



**All Connectors**  
 www.allconnectors.eu | info@allconnectors.eu  
 Tel. +49 (0)711 / 358 110 20 | Fax +49 (0)711 / 358 110 25

TITLE **SMB FEMALE CRIMP TYPE RG-58/U**

PART NO. **FKR-03F-TGNPL**

DRAWING NO. **FKR 03F TGNPL**

|          |     |      |          |
|----------|-----|------|----------|
| DRAWN    | 蘇姿潔 | DATE | 98.05.10 |
| CHECKED  | 蘇志欣 | DATE |          |
| Q.A.     | 林妙樺 | DATE |          |
| APPROVAL | 徐燦霖 | DATE |          |
| REVISION |     | DATE |          |

|                                      |                |      |   |
|--------------------------------------|----------------|------|---|
| DIMENSIONS ARE IN MILLIMETERS        |                |      |   |
| UNLESS OTHERWISE SPECIFIED TOLERANCE |                |      |   |
| 0.5-5=±0.2                           | 120-315=±1     |      |   |
| 5-30=±0.4                            | 315-1000=±1.6  |      |   |
| 30-120=±0.6                          | 1000-2000=±2.4 |      |   |
| SCALE                                | 4:1            | SIZE | A |

|             |          |
|-------------|----------|
| REVISION    |          |
| DESCRIPTION | ENGINEER |
|             |          |
|             |          |