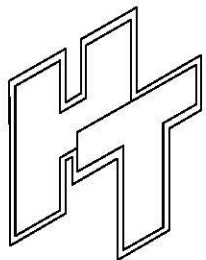
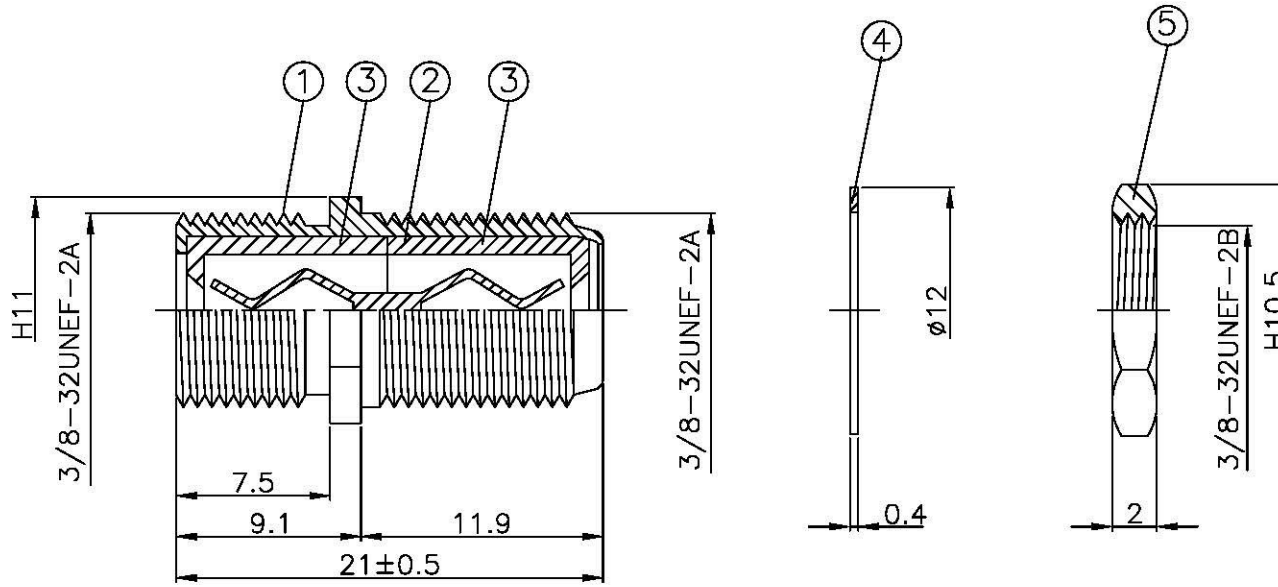
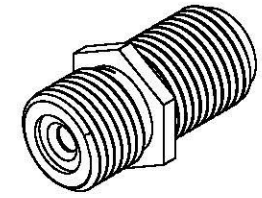


NO	DESCRIPTION	MATERIAL	Q'TY	FINISH
1	BODY	BRASS	1	NICKEL
2	PIN	BRASS	1	TIN
3	INSULATION	DELTRIN	2	DELTRIN
4	WASHER	BRASS	1	NICKEL
5	NUT	BRASS	1	NICKEL



**Allconnectors**

www.allconnectors.de  
 Tel.: 0049 711 7065900  
 info@allconnectors.de  
 Fax: 0049 711 7065902  
 Allconnectors GmbH  
 Hiltnerstr. 23

TITLE F FEMALE ADAPTOR FOR  
 BULKHEAD FEMALE - FEMALE

PART NO. F-22-DTN

DRAWING NO. F 22 DTN

DRAWN	MARY	DATE	96.07.06
CHECKED	蘇志欣	DATE	
Q.A.	蘇姿潔	DATE	
APPROVAL	徐燦霖	DATE	
REVISION		DATE	

DIMENSIONS ARE IN MILLIMETERS			
UNLESS OTHERWISE SPECIFIED TOLERANCE			
0.5-5=±0.2	120-315=±1		
5-30=±0.4	315-1000=±1.6		
30-120=±0.6	1000-2000=±2.4		
SCALE	4:1	SIZE	A

REVISION	
DESCRIPTION	ENGINEER