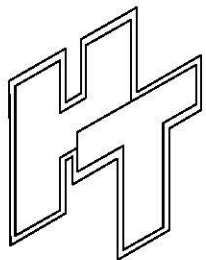
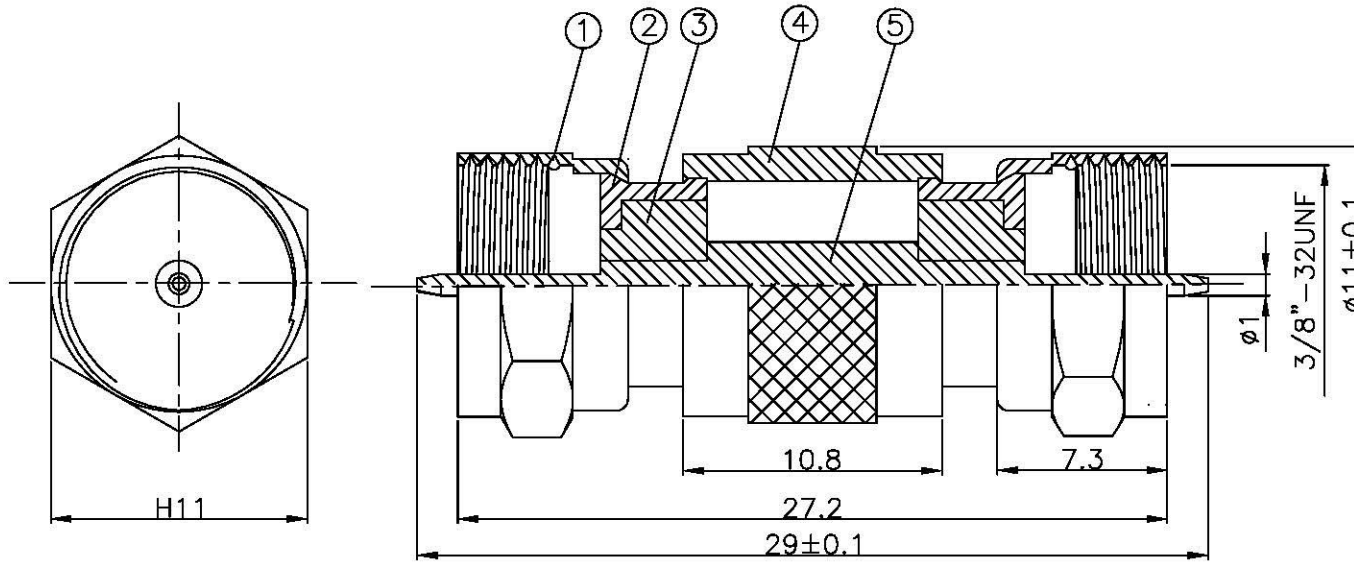
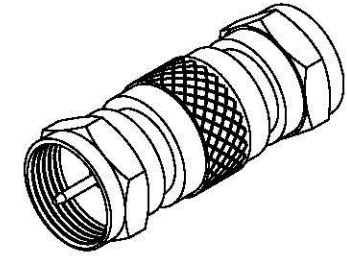


NO	DESCRIPTION	MATERIAL	Q'TY	FINISH
1	BODY1	BRASS	2	NICKEL
2	BODY2	BRASS	2	NICKEL
3	INSULATION	DELTRIN	2	DELTRIN
4	BODY	BRASS	1	NICKEL
5	PIN	BRASS	1	NICKEL



All Connectors

www.allconnectors.de info@allconnectors.de
 Tel: +0049 711 7026503 Fax: +0049 711 7026504
 70764 Filzbaden - Germany Kellernstr. 25

TITLE **F STRAIGHT MALE -MALE
ADAPTOR**

PART NO. **F-20-DNN**

DRAWING NO. **F 20 DNN**

DRAWN MARY DATE 96.07.06

CHECKED 蘇志欣 DATE

Q.A. 蘇姿潔 DATE

APPROVAL 徐燦霖 DATE

REVISION DATE

DIMENSIONS ARE IN MILLIMETERS

UNLESS OTHERWISE SPECIFIED
TOLERANCE

0.5-5=±0.2 120-315=±1

5-30=±0.4 315-1000=±1.6

30-120=±0.6 1000-2000=±2.4

SCALE 4:1 SIZE A

REVISION

DESCRIPTION ENGINEER