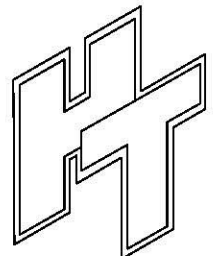
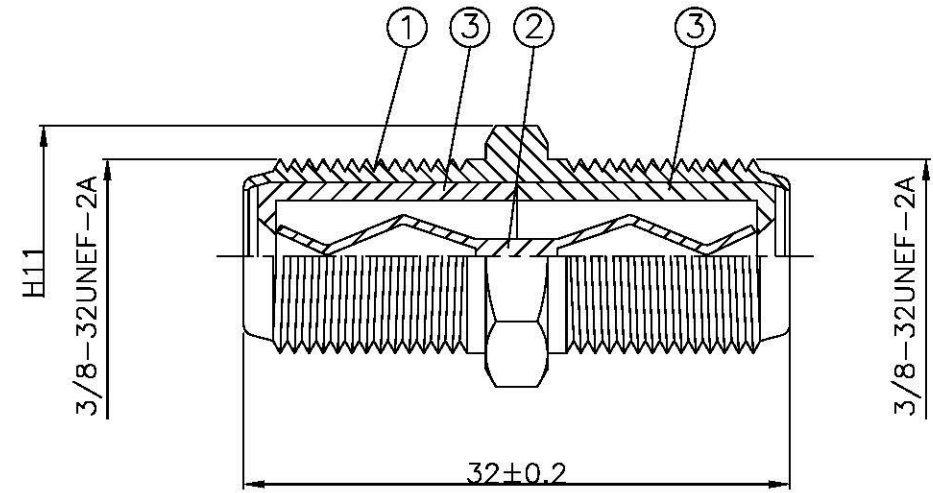
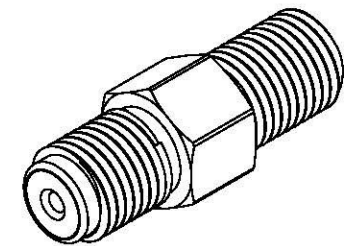


NO	DESCRIPTION	MATERIAL	Q'TY	FINISH
1	BODY	BRASS	1	NICKEL
2	PIN	BRASS	1	NICKEL
3	INSULATION	DELTRIN	2	DELTRIN



All Connectors
 www.allconnectors.de info@allconnectors.de
 Tel: 0049 711 7005003 Fax: 0049 711 7005001
 70794 Filderstadt Germany Kfz Nr. mld. 25

TITLE F STRAIGHT FEMALE -FEMALE ADAPTOR

PART NO. F-19-DNN

DRAWING NO. F 19 DNN

DRAWN MARY **DATE** 96.07.06

CHECKED 蘇志欣 **DATE**

Q.A. 蘇姿潔 **DATE**

APPROVAL 徐燦霖 **DATE**

REVISION **DATE**

DIMENSIONS ARE IN MILLIMETERS

UNLESS OTHERWISE SPECIFIED TOLERANCE

0.5-5=±0.2	120-315=±1
5-30=±0.4	315-1000=±1.6
30-120=±0.6	1000-2000=±2.4

SCALE 4:1 **SIZE** A

REVISION	
DESCRIPTION	ENGINEER