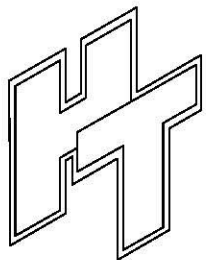
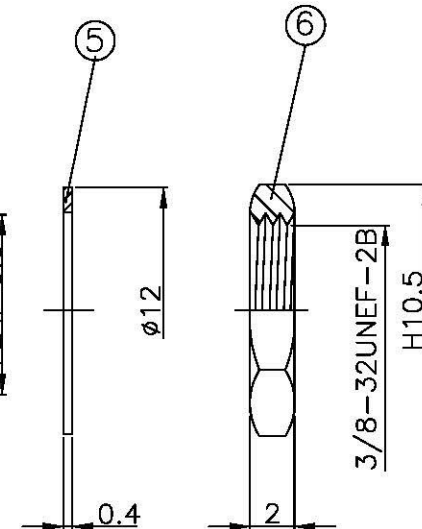
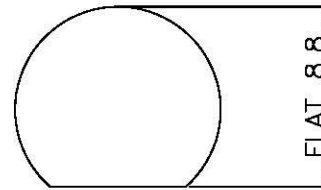
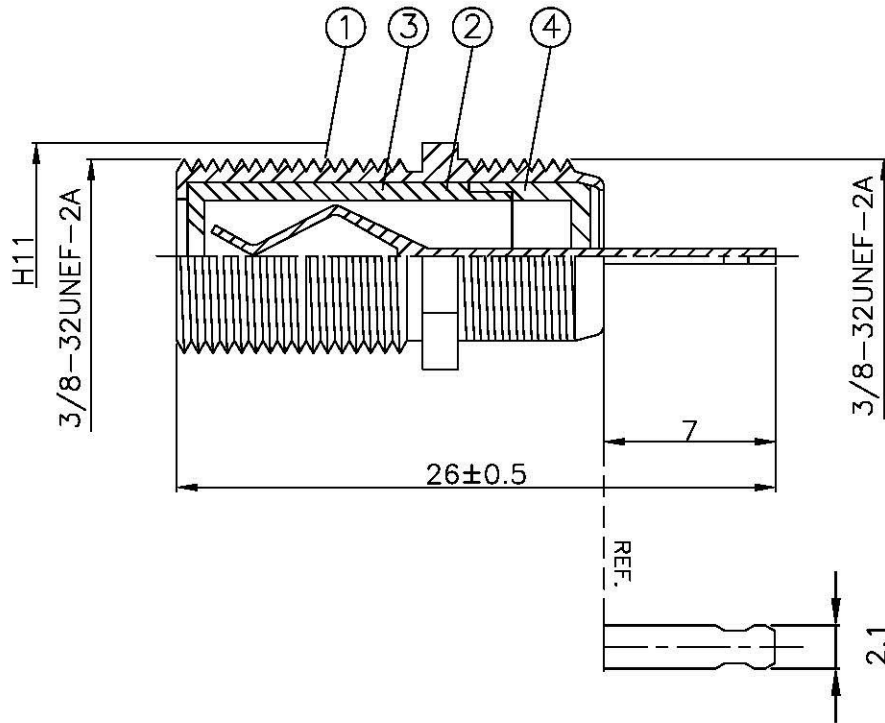
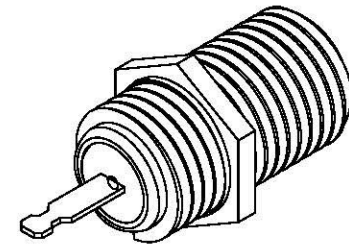


NO	DESCRIPTION	MATERIAL	Q'TY	FINISH
1	BODY	BRASS	1	NICKEL
2	PIN	BRASS	1	TIN
3	INSULATION	DELTRIN	1	DELTRIN
4	INSULATION	DELTRIN	1	DELTRIN
5	WASHER	BRASS	1	NICKEL
6	NUT	BRASS	1	NICKEL



All Connectors

www.allconnectors.de
Tel.: 0049 711 7068200
70734 Filderstadt - Germany

info@allconnectors.de
Fax: 0049 711 7068304
Kontakt: 20

TITLE
F FEMALE RECEPTACLE

PART NO.
F-18-DTN

DRAWING NO.
F 18 DTN

DRAWN MARY DATE 96.07.06

CHECKED 蘇志欣 DATE

Q.A. 蘇姿潔 DATE

APPROVAL 徐燦霖 DATE

REVISION DATE

DIMENSIONS ARE IN MILLIMETERS

UNLESS OTHERWISE SPECIFIED TOLERANCE

0.5-5=±0.2 120-315=±1

5-30=±0.4 315-1000=±1.6

30-120=±0.6 1000-2000=±2.4

SCALE 4:1 SIZE A

REVISION

DESCRIPTION ENGINEER

D

D

C

C

B

B

A

A

4

3

2

1