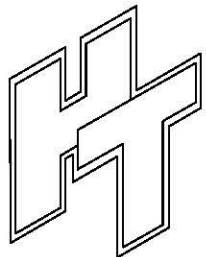
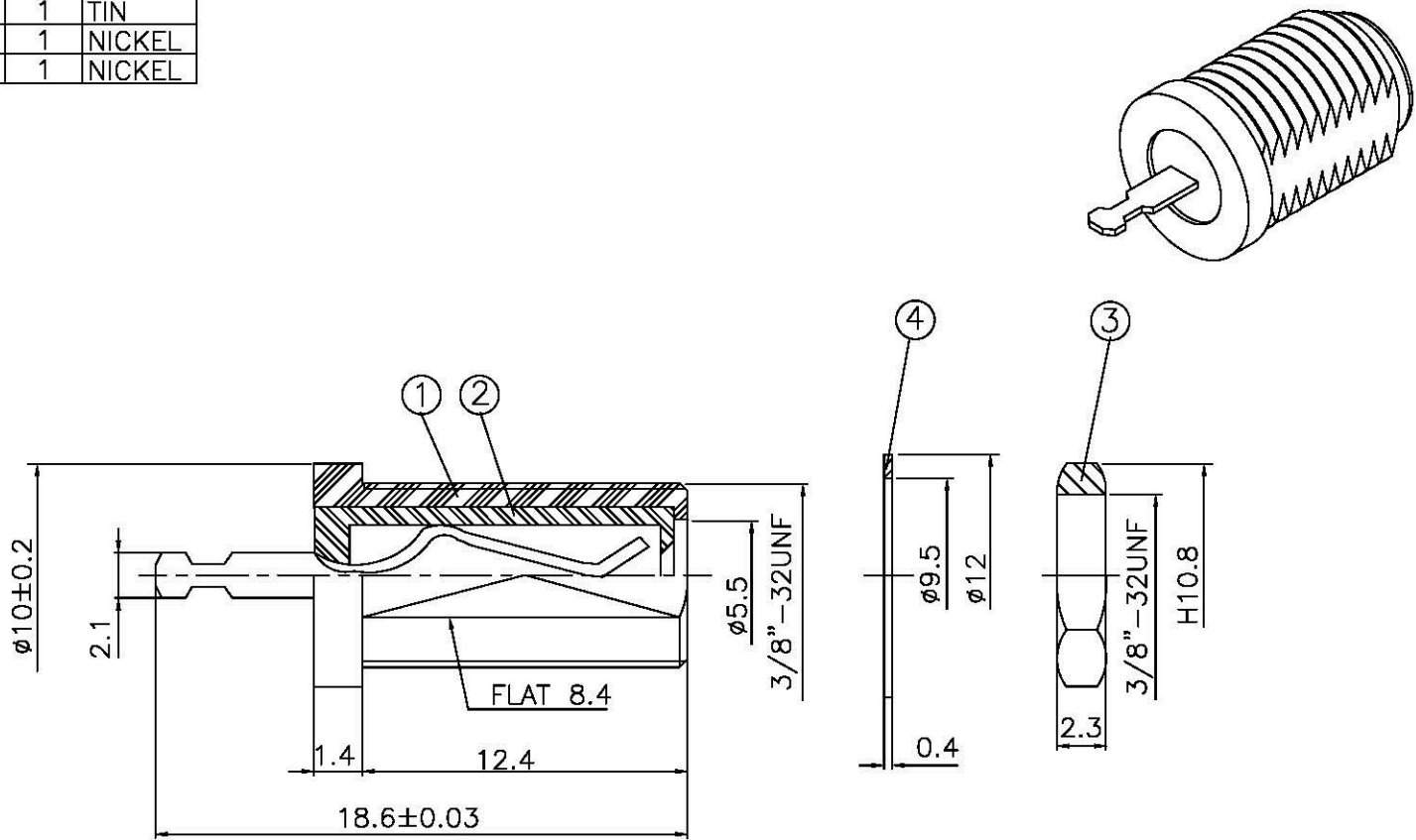


NO	DESCRIPTION	MATERIAL	Q'TY	FINISH
1	BODY	BRASS	1	NICKEL
2	PIN	BRASS	1	TIN
3	NUT	BRASS	1	NICKEL
4	WASHER	BRASS	1	NICKEL



Allconnectors

www.allconnectors.de info@allconnectors.de
Tel.: 0049 711 7002503 Fax: 0049 711 7003504
23564 Fildorfschloß Germany Rottmehrdamm 20

TITLE **BULKHEAD FEMALE RECEPTACLE**

PART NO. **F-17-DTN**

DRAWING NO. **F-17-DTN**

DRAWN **MARY** DATE **96.07.06**

CHECKED **蘇志欣** DATE

Q.A. **蘇姿潔** DATE

APPROVAL **徐燦霖** DATE

REVISION DATE

DIMENSIONS ARE IN MILLIMETERS

UNLESS OTHERWISE SPECIFIED TOLERANCE

0.5-5=±0.2 120-315=±1

5-30=±0.4 315-1000=±1.6

30-120=±0.6 1000-2000=±2.4

SCALE **4:1** SIZE **A**

REVISION

DESCRIPTION	ENGINEER