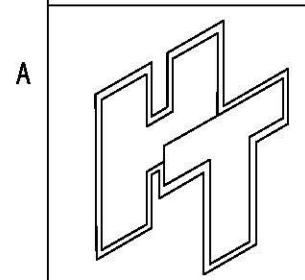
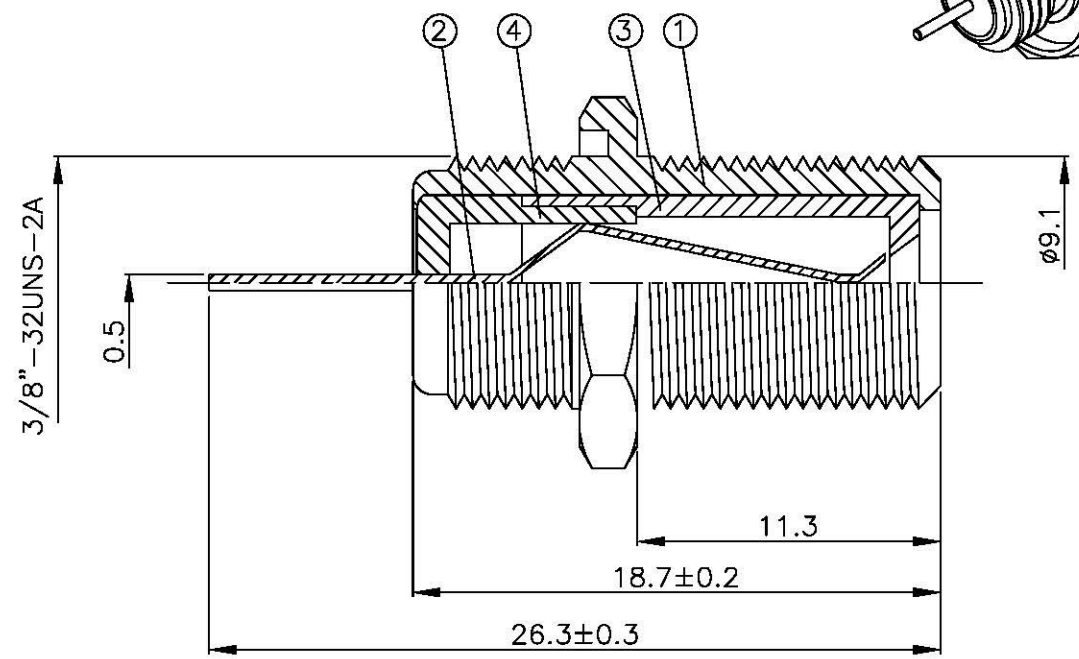
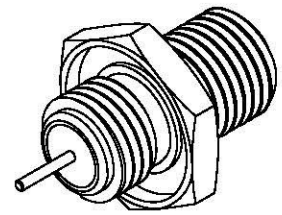
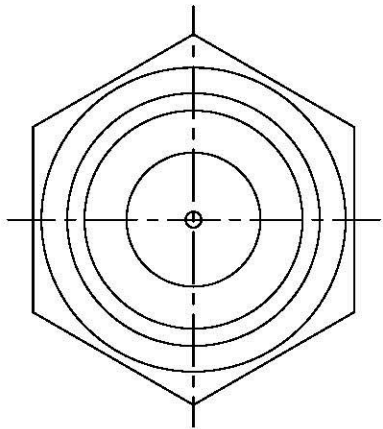


NO	DESCRIPTION	MATERIAL	Q'TY	FINISH
1	BODY	BRASS	1	NICKEL
2	PIN	BRASS	1	NICKEL
3	INSULATION	DELRIN	1	DELRIN
4	INSULATION	DELRIN	1	DELRIN



All Connectors
 www.allconnectors.com info@allconnectors.com
 Tel: 0010 711 7005002 Fax: 0010 711 7005091
 20794 Fildes Road - Germany Kellenmeier, SS

TITLE: **F CONNECTOR**

PART NO.: **F-15V4-DNN**

DRAWING NO.: **F 15V4 DNN**

DRAWN MARY 蘇志欣 DATE 96.07.06

CHECKED 蘇志欣 DATE

Q.A. 蘇姿潔 DATE

APPROVAL 徐燦霖 DATE

REVISION DATE

DIMENSIONS ARE IN MILLIMETERS

UNLESS OTHERWISE SPECIFIED TOLERANCES

0.5-5 = ±0.2 120-315 = ±1

5-30 = ±0.4 315-1000 = ±1.6

30-120 = ±0.6 1000-2000 = ±2.4

SCALE 4:1 SIZE A

REVISION	
DESCRIPTION	ENGINEER