

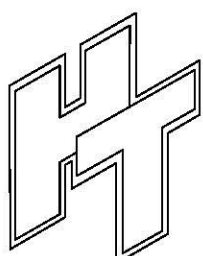
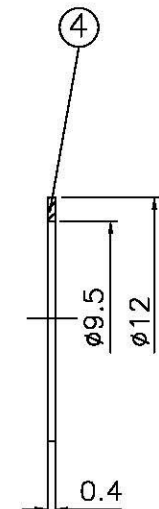
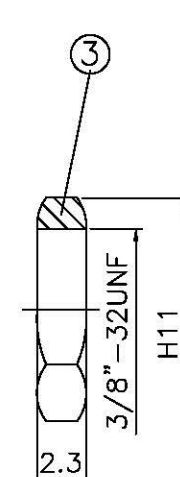
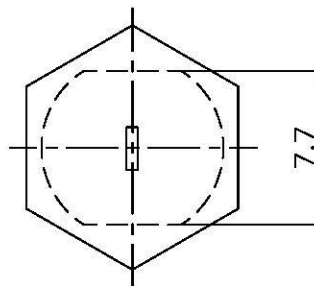
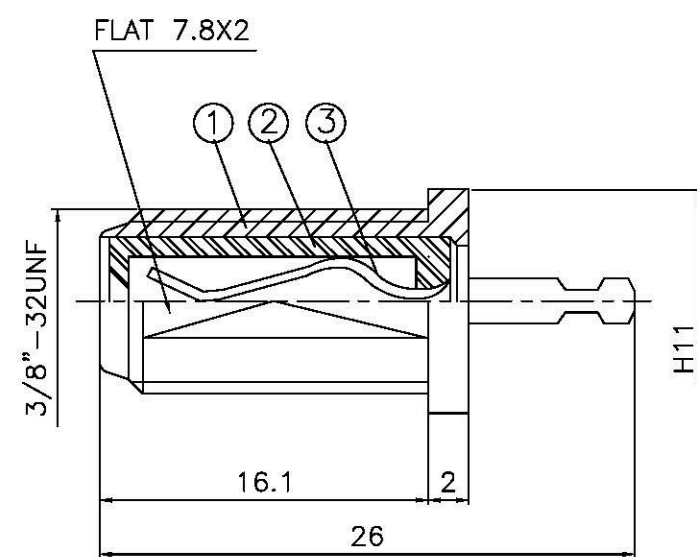
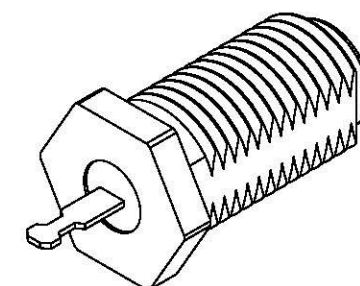
4

3

2

1

NO	DESCRIPTION	MATERIAL	Q'TY	FINISH
1	BODY	BRASS	1	NICKEL
2	INSULATION	DELRIN	1	DELRIN
3	PIN	P.P+BOBBIN	1	TIN
4	NUT	BRASS	1	NICKEL
5	WASHER	BRASS	1	NICKEL



All Connectors
 www.allconnectors.de info@allconnectors.de
 Tel: 0049 731 705089 Fax: 0049 731 705097
 70704 Ulm/Steilach - Germany

TITLE BULKHEAD FEMALE RECEPTACLE

PART NO. F-15-DTN

DRAWING NO. F 15 DTN

DRAWN MARY **DATE 96.07.06**

CHECKED 蘇志欣 **DATE**

Q.A. 蘇姿潔 **DATE**

APPROVAL 徐燦霖 **DATE**

REVISION **DATE**

DIMENSIONS ARE IN MILLIMETERS

UNLESS OTHERWISE SPECIFIED TOLERANCE

0.5-5=±0.2 120-315=±1
 5-30=±0.4 315-1000=1.6
 30-120=±0.6 1000-2000=±2.4

SCALE 4:1 **SIZE A**

REVISION	
DESCRIPTION	ENGINEER

4

3

2

1

D

D

C

C

B

B

A

A