

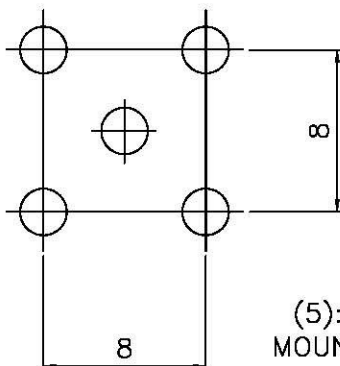
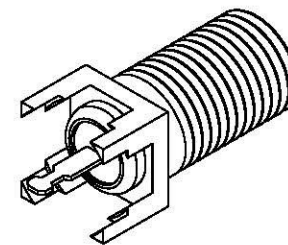
4

3

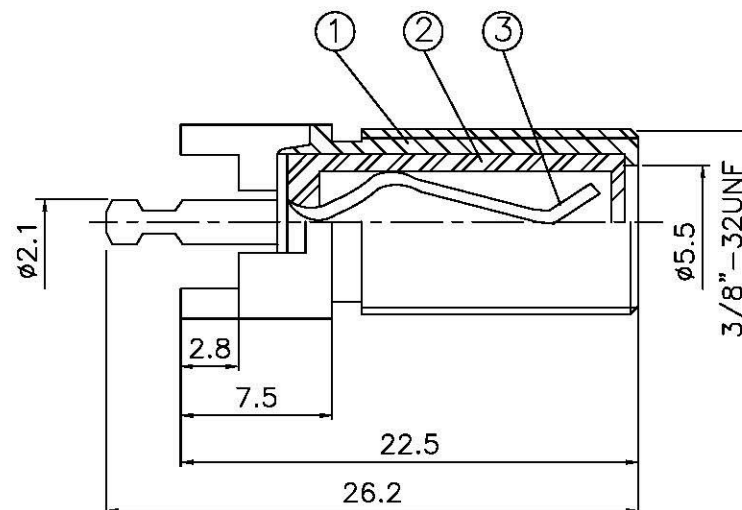
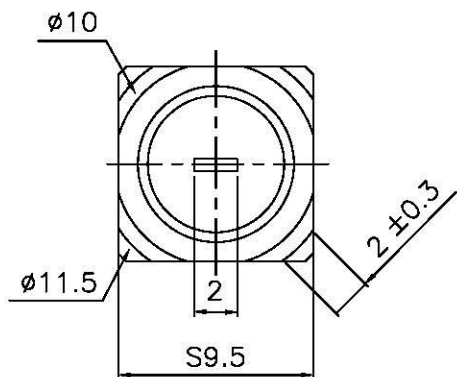
2

1

NO	DESCRIPTION	MATERIAL	Q'TY	FINISH
1	BODY	BRASS	1	NICKEL
2	INSULATION	DELRIN	1	DELRIN
3	PIN	P.P+BOBBIN	1	TIN



(5): ϕ 2.2 MIN
MOUNTING HOLE



D

D

D

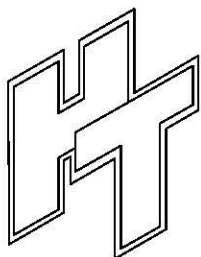
D

B

B

A

A



All Connectors

www.allconnectors.de info@allconnectors.de
Tel: 0049 711 7003501 Fax: 0049 711 7003501
Jülicher Straße 156, 50709 Köln, Germany

TITLE **F FEMALE PC MOUNT**

PART NO. **F-14-DTN**

DRAWING NO. **F 14 DTN**

DRAWN **MARY** DATE **96.07.06**

CHECKED **蘇志欣** DATE

Q.A. **蘇姿潔** DATE

APPROVAL **徐燦霖** DATE

REVISION DATE

DIMENSIONS ARE IN MILLIMETERS

UNLESS OTHERWISE SPECIFIED
TOLERANCE

0.5-5 = ± 0.2 120-315 = ± 1

5-30 = ± 0.4 315-1000 = ± 1.6

30-120 = ± 0.6 1000-2000 = ± 2.4

SCALE **4:1** SIZE **A**

REVISION

DESCRIPTION ENGINEER

4

3

2

1