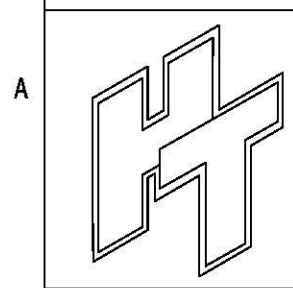
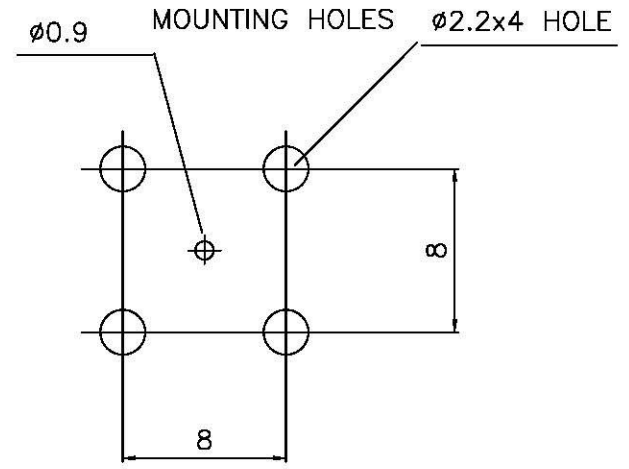
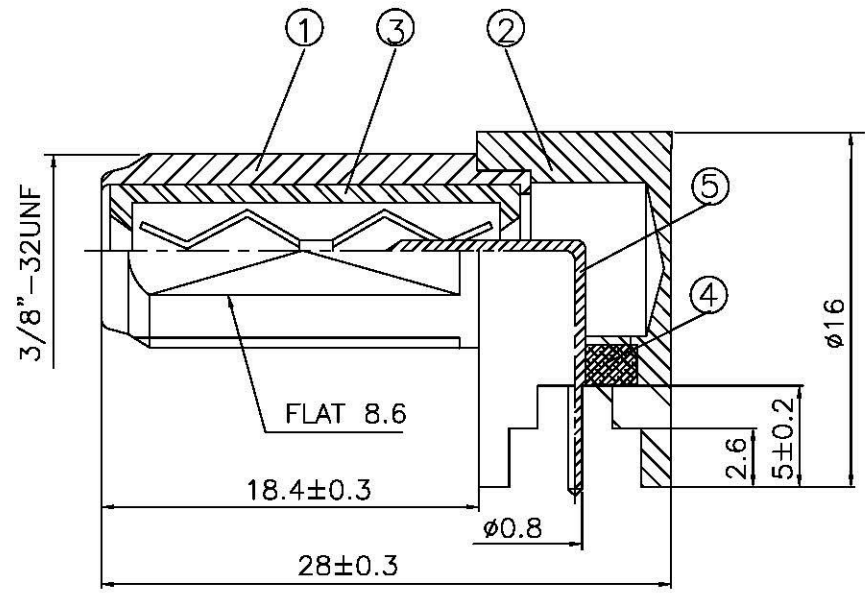
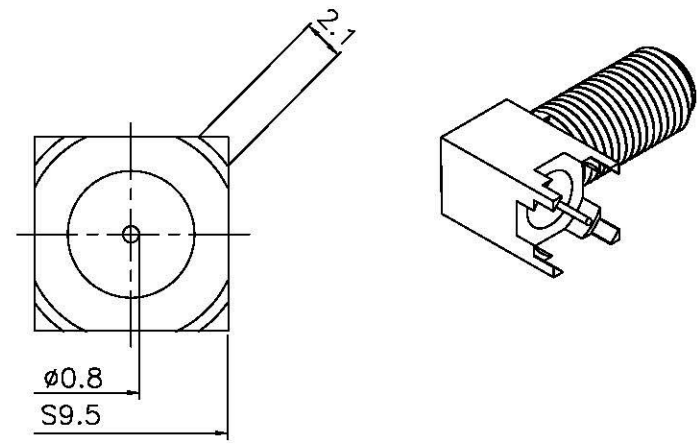


NO	DESCRIPTION	MATERIAL	Q'TY	FINISH
1	BODY	BRASS	1	NICKEL
2	CHASSIS	BRASS	1	NICKEL
3	PIN+BOBBIN	P.P+BOBBIN	1	P.P
4	INSULATION	DELRIN	1	DELRIN
5	PIN	BRASS	1	TIN



All Connectors
 www.allconnectors.de
 Tel.: 0049 711 7094503
 70774 Rilderstadt - Germany
 info@allconnectors.de
 Fax: 0049 711 7094504
 Kettnerstr. 25

TITLE **RIGHT ANGLE FEMALE
PC MOUNT**

PART NO. **F-13-DTN**

DRAWING NO. **F 13 DTN**

DRAWN	MARY	DATE	96.07.06
CHECKED	蘇志欣	DATE	
Q.A.	蘇姿潔	DATE	
APPROVAL	徐燦霖	DATE	
REVISION		DATE	

DIMENSIONS ARE IN MILLIMETERS

UNLESS OTHERWISE SPECIFIED TOLERANCE

0.5-5=±0.2	120-315=±1
5-30=±0.4	315-1000=±1.6
30-120=±0.6	1000-2000=±2.4

SCALE 4:1 SIZE A

REVISION	
DESCRIPTION	ENGINEER