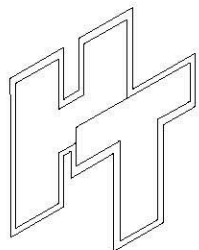
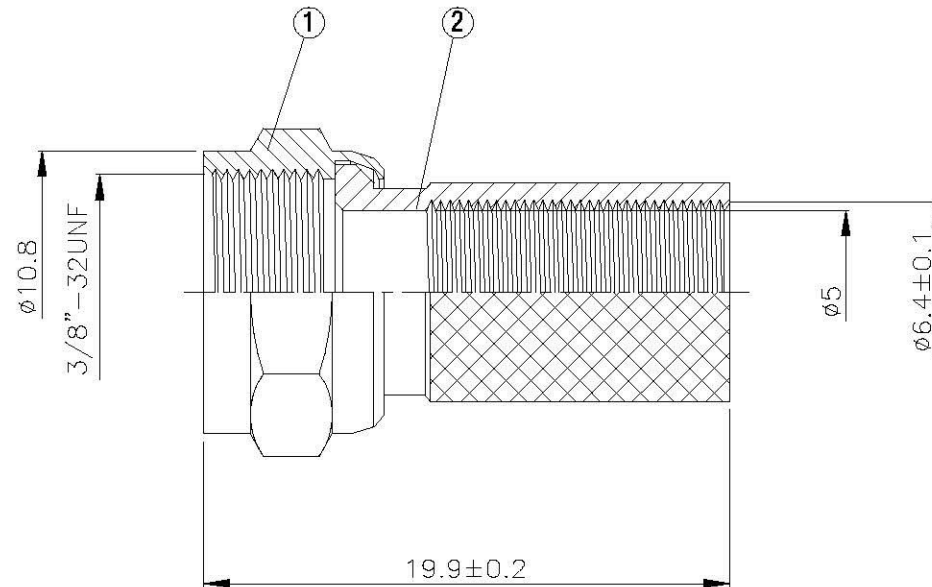
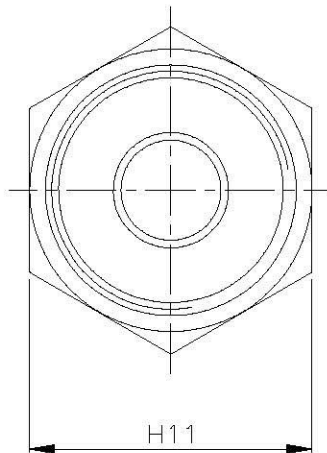
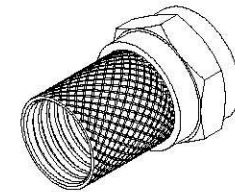


NO	DESCRIPTION	MATERIAL	Q'TY	FINISH
1	BODY 1	BRASS	1	NICKEL
2	BODY 2	BRASS	1	NICKEL



**All Connectors**

www.allconnectors.de  
Tel: 0049 211 7065335  
info@allconnectors.de  
Fax: 0049 211 7065344  
info@allconnectors.de  
Postfach 10 12 10

TITLE  
**F MALE TWIST FOR RG-6/U**

PART NO.  
**F-09A-NICKEL**

DRAWING NO.  
**F 09A NICKEL**

DRAWN **MARY** DATE **88.06.25**

CHECKED **黃巧君** DATE **96.02.07**

Q.A. **蘇姿潔** DATE

APPROVAL **徐燦霖** DATE

REVISION DATE

DIMENSIONS ARE IN MILLIMETERS

UNLESS OTHERWISE SPECIFIED TOLERANCE

0.5-5=±0.2	120-315=±1
5-30=±0.4	315-1000=±1.6
30-120=±0.6	1000-2000=±2.4

SCALE **5:1** SIZE **A**