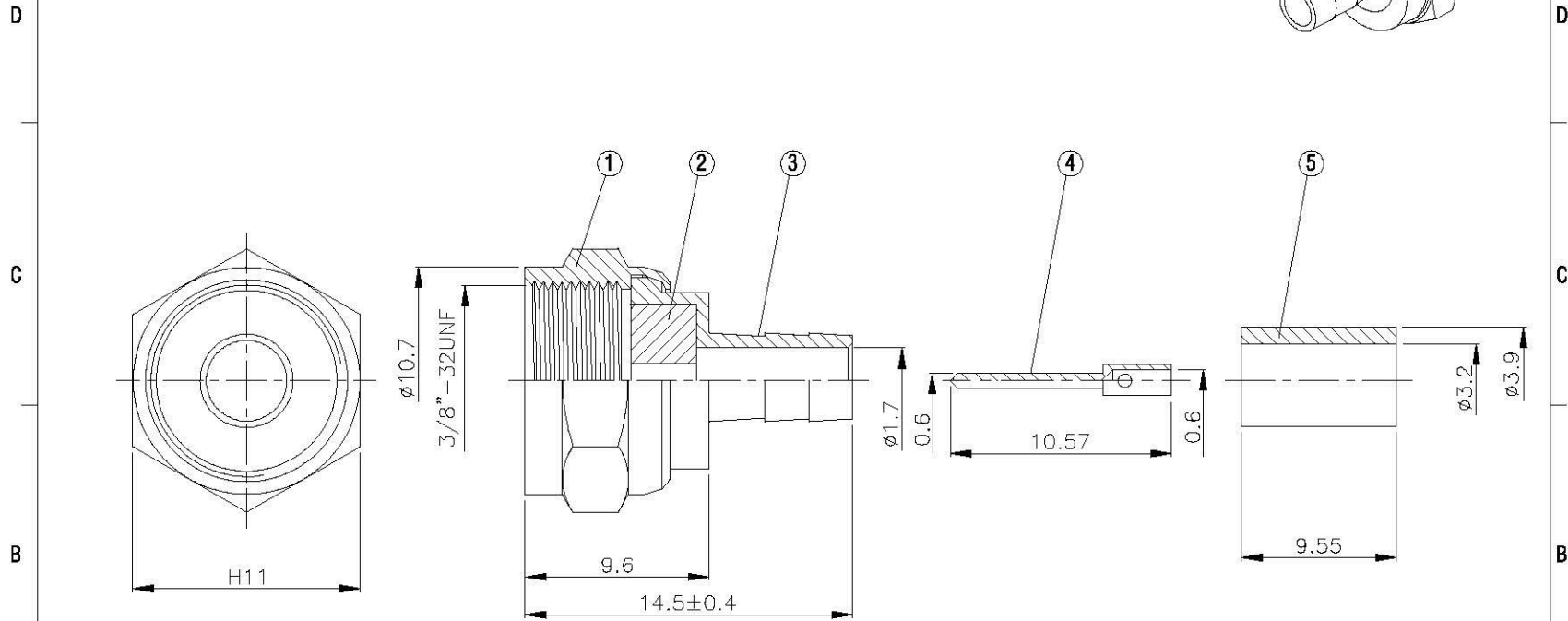
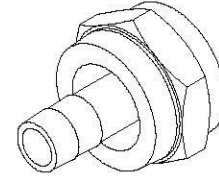
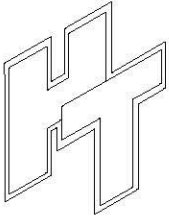



| NO | DESCRIPTION | MATERIAL | Q'TY | FINISH |
|----|-------------|----------|------|--------|
| 1 | BODY 1 | BRASS | 1 | TIN |
| 2 | INSULATION | TEFLON | 1 | TEFLON |
| 3 | BODY 2 | BRASS | 1 | NICKEL |
| 4 | PIN | BRASS | 1 | GOLD |
| 5 | RING | BRASS | 1 | NICKEL |



| | | | | | | |
|---|---|--|---|----------------------------------|--|--|
|  |  <small>www.allconnectors.de info@allconnectors.de 70374 Fellbach Germany</small> | DRAWN MARY DATE 96.06.26 CHECKED 蘇志欣 DATE 97.07.02 Q.A. 蘇姿潔 APPROVAL 徐燦霖 REVISION DATE | DIMENSIONS ARE IN MILLIMETERS UNLESS OTHERWISE SPECIFIED TOLERANCE 0.5-5=±0.2 120-315=±1 5-30=±0.4 315-1000=±1.6 30-120=±0.6 1000-2000=±2.4 SCALE 5:1 SIZE A | REVISION DESCRIPTION ENGINEER | | |
| | TITLE | | | | | |
| | PART NO. | F-01N-TGN | | | | |
| | DRAWING NO. | F 01N TGN | | | | |

4

3

2

1