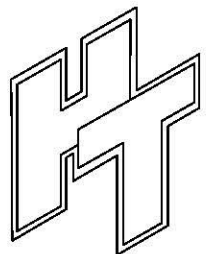
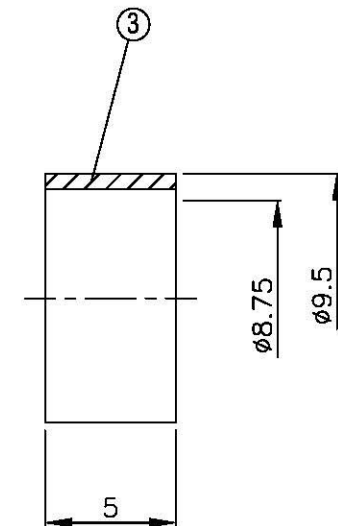
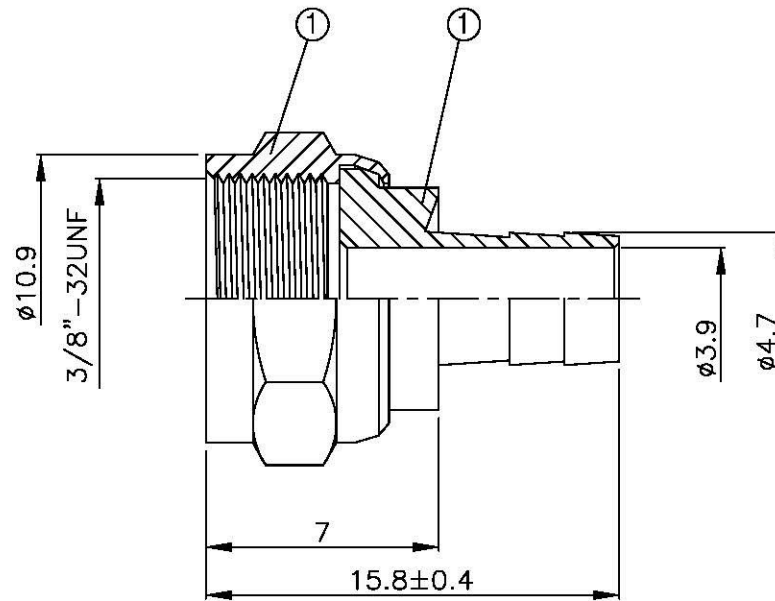
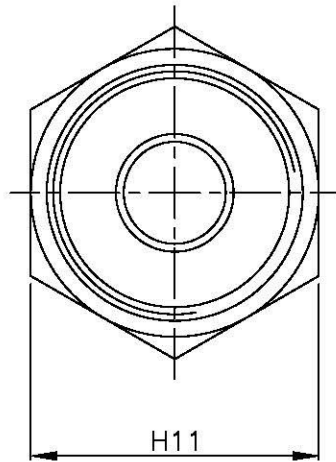
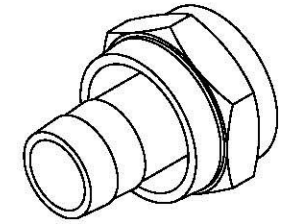


NO	DESCRIPTION	MATERIAL	Q'TY	FINISH
1	BODY 1	BRASS	1	NICKEL
2	BODY 2	BRASS	1	NICKEL
3	NUT	BRASS	1	NICKEL



Allconnectors

www.allconnectors.de
Tel.: 0049 711 702994
70794 Ploerenstadt - Germany

info@allconnectors.de
Fax: 0049 711 702994
Kettensstr. 25

TITLE
MALE CRIMP FOR RG59/U

PART NO.
F-01G-NICKEL

DRAWING NO.
F 01G NICKEL

DRAWN **MARY** DATE **96.07.06**

CHECKED **蘇志欣** DATE

Q.A. **蘇姿潔** DATE

APPROVAL **徐燦霖** DATE

REVISION DATE

DIMENSIONS ARE IN MILLIMETERS

UNLESS OTHERWISE SPECIFIED
TOLERANCE

0.5-5=±0.2 120-315=±1

5-30=±0.4 315-1000=±1.6

30-120=±0.6 1000-2000=±2.4

SCALE **5:1** SIZE **A**

REVISION

DESCRIPTION ENGINEER