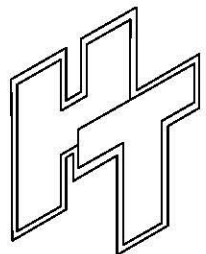
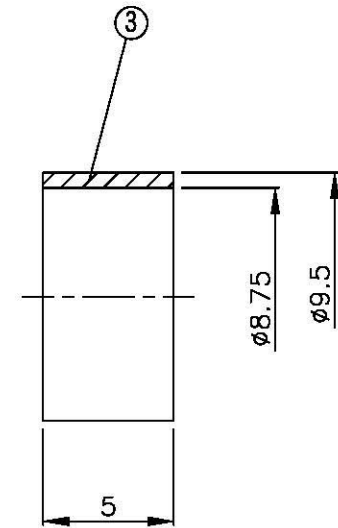
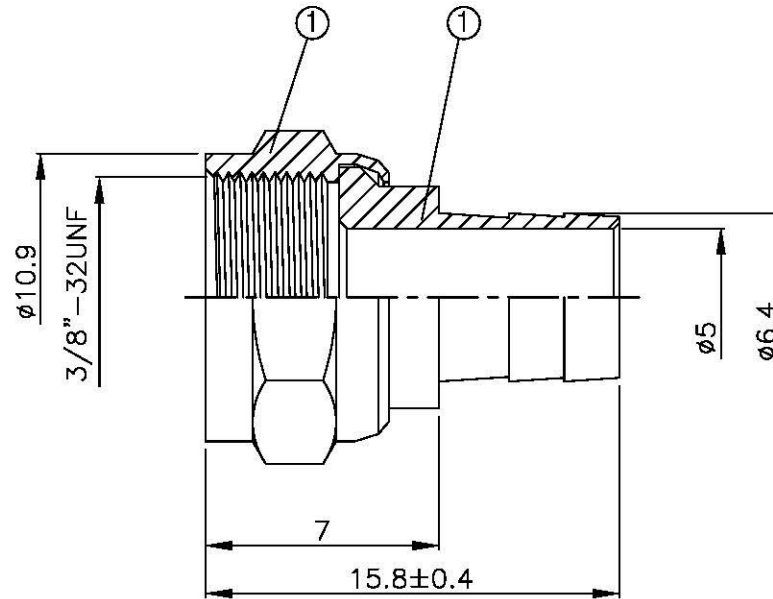
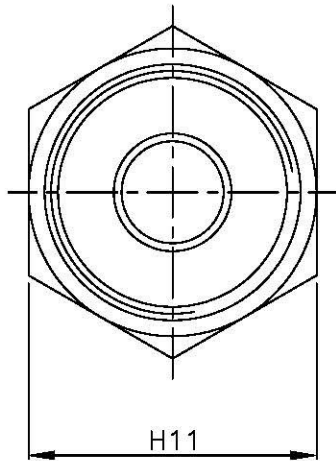
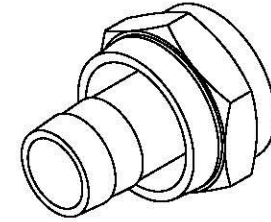


NO	DESCRIPTION	MATERIAL	Q'TY	FINISH
1	BODY 1	BRASS	1	NICKEL
2	BODY 2	BRASS	1	NICKEL
3	NUT	BRASS	1	NICKEL



All Connectors

www.allconnectors.de info@allconnectors.de
Tel: +49 719 732 206000 Fax: +49 719 732 206001
70754 Filzschluff, Germany Kellereckstr. 25

TITLE
MALE CRIMP FOR RG-6/U

PART NO.
F-01A-NICKEL

DRAWING NO.
F 01A NICKEL

DRAWN **MARY** DATE **88.06.25**

CHECKED **黄巧君** DATE **96.02.07**

Q.A. **蘇姿潔** DATE

APPROVAL **徐燦霖** DATE

REVISION DATE

DIMENSIONS ARE IN MILLIMETERS

UNLESS OTHERWISE SPECIFIED TOLERANCE
0.5-5=±0.2 120-315=±1
5-30=±0.4 315-1000=±1.6
30-120=±0.6 1000-2000=±2.4

SCALE **5:1** SIZE **A**

REVISION

DESCRIPTION ENGINEER