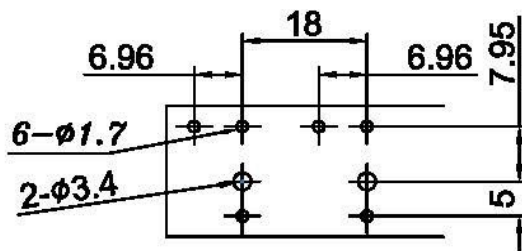
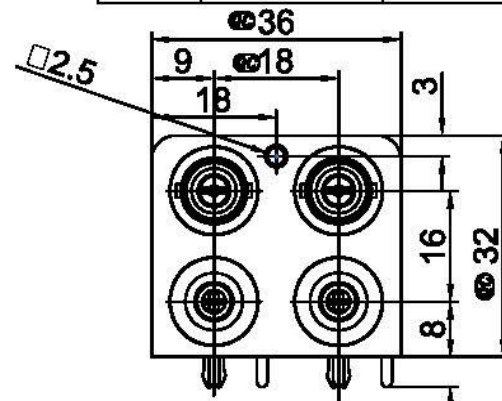
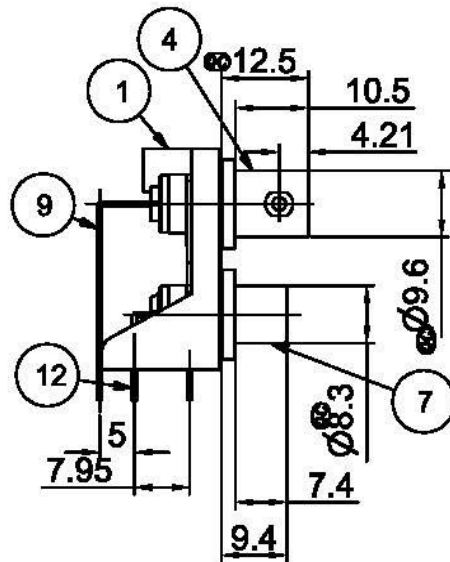
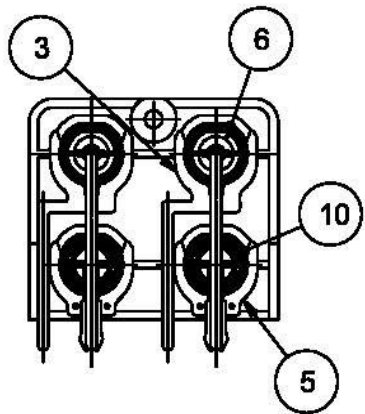
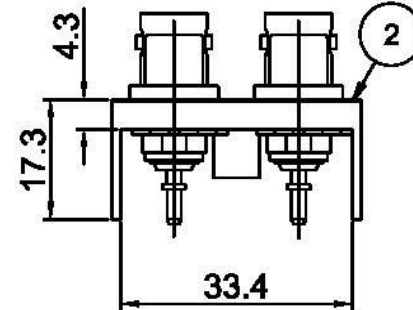


RoHS

|      |          |          |          |
|------|----------|----------|----------|
| REV. | ECN. NO. | APP.     | DATE     |
| A    | NEW      | WUXIAOBO | 09.07.02 |



P.C.B Layout ( 1 : 1 )



|    |               |            |        |     |
|----|---------------|------------|--------|-----|
| 12 | CONTACT FOOT  | Brass      | Ni     | 2   |
| 11 | Insulator1    | PC         | R/G/B  | 2   |
| 10 | Insulator2    | POM        | White  | 2   |
| 9  | Steel Wire-04 | Brass      | Ni     | 2   |
| 7  | RCA Body      | Zinc Aolly | Ni     | 2   |
| 6  | Insulator3    | POM        | White  | 2   |
| 5  | Steel Wire-02 | Brass      | Ni     | 2   |
| 4  | BNC Body      | Zinc Aolly | Ni     | 2   |
| 3  | Steel Wire-01 | Brass      | Ni     | 2   |
| 2  | Mount         | Iron       | Ni     | 1   |
| 1  | Bracket       | ABS        | Black  | 1   |
| NO | DESCRIPTION   | MATERIAL   | REMARK | QTY |

**All Connectors**

www.allconnectors.de  
Tel: 0019 711 7003503  
70764 Hildersbach Germany

info@allconnectors.de  
Fax: 0019 711 7003504  
Kottbomstr. 2

Title: BNC+RCA JACK 2x2PORT 90°

| Tolerances |           |
|------------|-----------|
| Linear     | Angles    |
| .x ±0.30   | x.° ±5°   |
| .xx ±0.20  | .x° ±2°   |
| .xxx ±0.10 | .xx° ±1°  |
| Projection | Revision. |
|            | A         |

|       |          |
|-------|----------|
| App.  | Dabbie   |
| Chk.  | Kitty    |
| Dr.   | Cindy    |
| Date. | 09.07.02 |

|  |                  |
|--|------------------|
| Units                                  | Part no:         |
| <input checked="" type="checkbox"/> mm | BNR-0227VXB-011A |
| <input type="checkbox"/> inch          |                  |
| Size                                   | Dwg no.          |
| A4                                     | BNR-0227VXB-011A |
| Scale                                  | Sheet            |
| 1:1                                    | 1/1              |