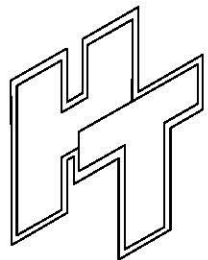
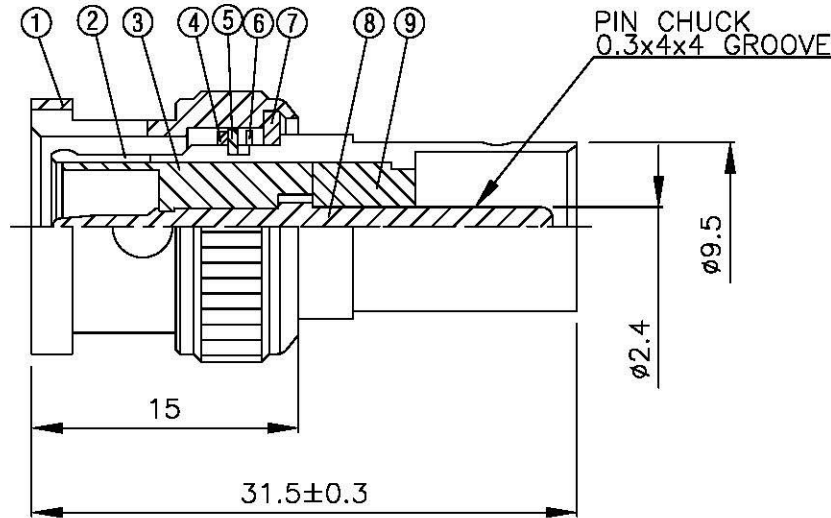
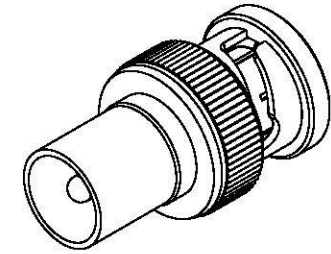


NO	DESCRIPTION	MATERIAL	Q'TY	FINISH
1	BODY 1	DIE-CAST	1	NICKEL
2	BODY 2	BRASS	1	NICKEL
3	INSULATION	DELRIN	1	DELRIN
4	GASKET	SI RUBBER	1	RUBBER
5	WASHER 1	BRASS	1	NICKEL
6	SPRING	BRASS	1	NICKLE
7	WASHER 2	BRASS	1	NICKEL
8	PIN	BRASS	1	GOLD
9	INSULATION	DELRIN	1	DELRIN



All Connectors

www.allconnectors.de
Tel.: 0049 711 7008508
70794 Filderstadt - Germany

info@allconnectors.de
Fax: 0049 711 7008504
Kettenmstr. 25

TITLE
BNC MALE -PAL PLUG ADAPTOR

PART NO.
BNC-46-DGN

DRAWING NO.
BNC 46 DGN

DRAWN **MARY** DATE 96.06.18

CHECKED **蘇志欣** DATE

Q.A. **蘇姿潔** DATE

APPROVAL **徐燦霖** DATE

REVISION DATE

DIMENSIONS ARE IN MILLIMETERS

UNLESS OTHERWISE SPECIFIED
TOLERANCE

0.5-5=±0.2	120-315=±1
5-30= ±0.4	315-1000=±1.6
30-120±0.6	1000-2000=±2.4

SCALE 4:1 SIZE A

REVISION

DESCRIPTION	ENGINEER