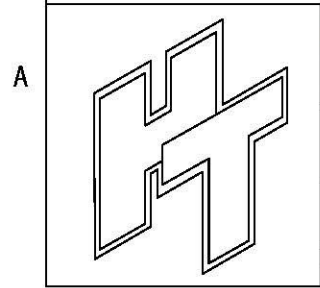
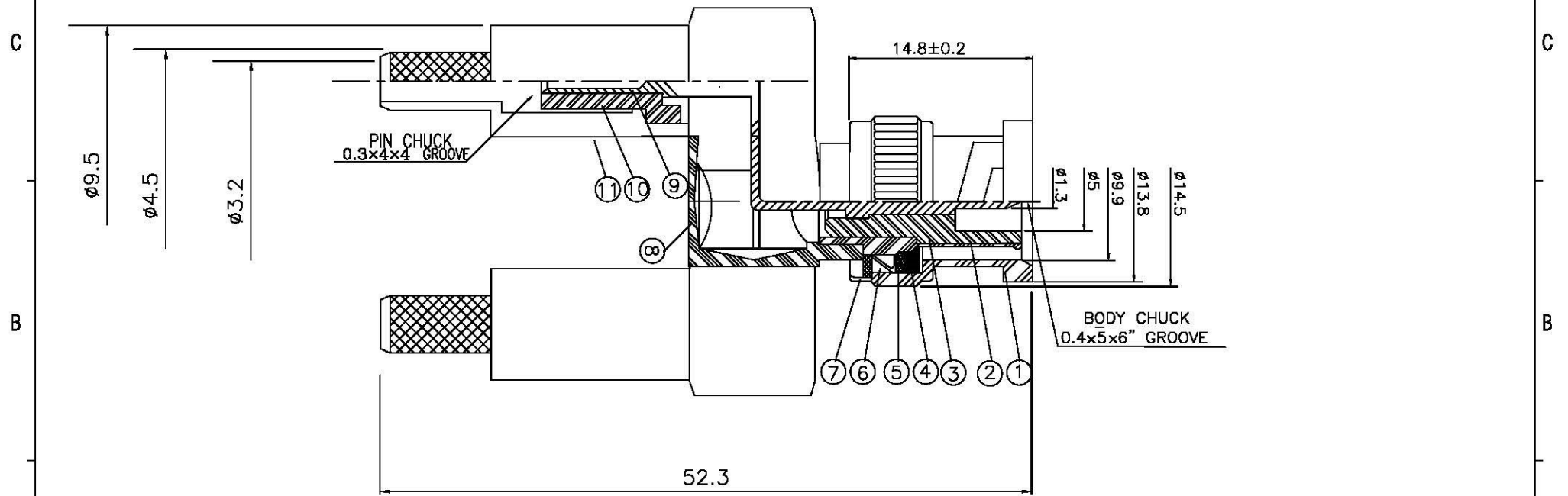
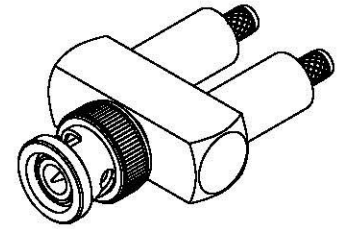
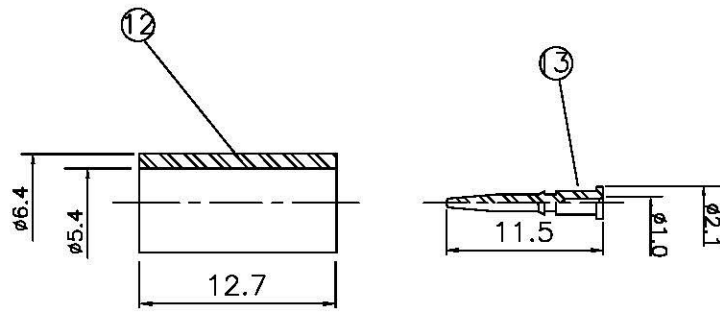


NO	DESCRIPTION	MATERIAL	Q'TY	FINISH
1	SHELL	BRASS	1	NICKEL
2	BODYI	BRASS	1	NICKEL
3	INSULATION	DELTRIN	1	DELTRIN
4	GASKET	RUBBER	1	RUBBER
5	WASHER	BRASS	1	NICKEL
6	SPRING	SK-5	1	NICKEL
7	WASHER	BRASS	1	NICKEL
8	BODYII	BRASS	1	NICKEL
9	PIN	BRASS	2	GOLD
10	INSULATION	DELTRIN	2	DELTRIN
11	BODYIII	BRASS	2	NICKEL
12	RING	BRASS	2	NICKEL
13	PIN	BRASS	2	GOLD



**Allconnectors**  
 www.allconnectors.de    info@allconnectors.de  
 TEL: 0049 11 211 419111    FAX: 0049 11 211 419114  
 70734 Filkenstedt Germany    Kettelerstr. 25

TITLE    BNC MALE WITH DOUBLE CRIMP  
 FOR RG58U, 141A/U

PART NO.    BNC-40F-DGN

DRAWING NO.    BNC 40F DGN

DRAWN	MARY	DATE	96.06.18
CHECKED	蘇志欣	DATE	
Q.A.	蘇姿潔	DATE	
APPROVAL	徐燦霖	DATE	
REVISION		DATE	

DIMENSIONS ARE IN MILLIMETERS

UNLESS OTHERWISE SPECIFIED  
 TOLERANCE

0.5-5=±0.2	120-315=±1
5-30=±0.4	315-1000=±1.6
30-120=±0.6	1000-2000=±2.4

SCALE    3:1    SIZE    A

REVISION	
DESCRIPTION	ENGINEER