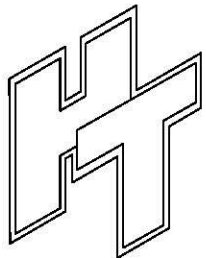
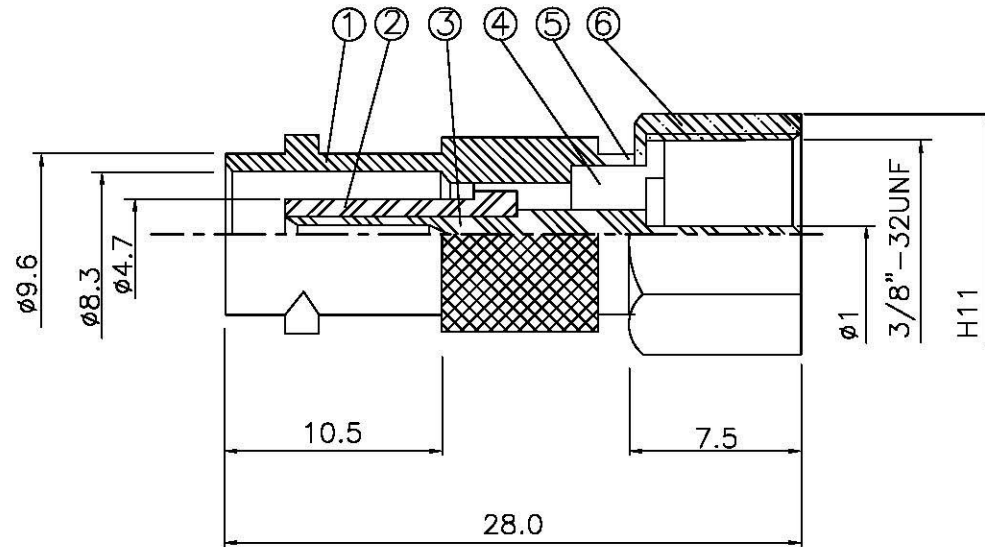
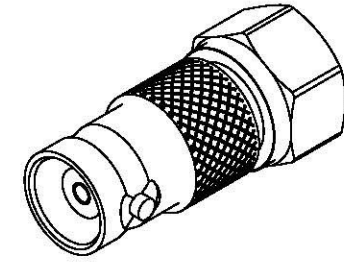


NO	DESCRIPTION	MATERIAL	Q'TY	FINISH
1	BODY	BRASS	1	NICKEL
2	INSULATION	DELRIN	1	DELRIN
3	PIN	BRASS	1	NICKEL
4	INSULATION	DELRIN	1	DELRIN
5	SLEEVE	BRASS	1	NICKEL
6	NUT	BRASS	1	NICKEL



Allconnectors

www.allconnectors.de
Tel.: 0049 711 7009208
70721 Ulm/Leinfelden - Germany

Info@allconnectors.de
Fax: 0049 711 7009204
Kellernstraße 25

TITLE
BNC FEMALE - F MALE

PART NO.
BNC-30-DNN

DRAWING NO. **BNC 30 DNN**

DRAWN MARY DATE 96.06.18

CHECKED 蘇志欣 DATE

Q.A. 蘇姿潔 DATE

APPROVAL 徐燦霖 DATE

REVISION DATE

DIMENSIONS ARE IN MILLIMETERS

UNLESS OTHERWISE SPECIFIED
TOLERANCE

0.5-5=±0.2 120-315=±1

5-30=±0.4 315-1000=±1.6

30-120=±0.6 1000-2000=±2.4

SCALE 4:1 SIZE A

REVISION

DESCRIPTION ENGINEER