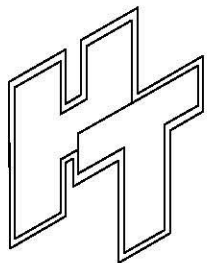
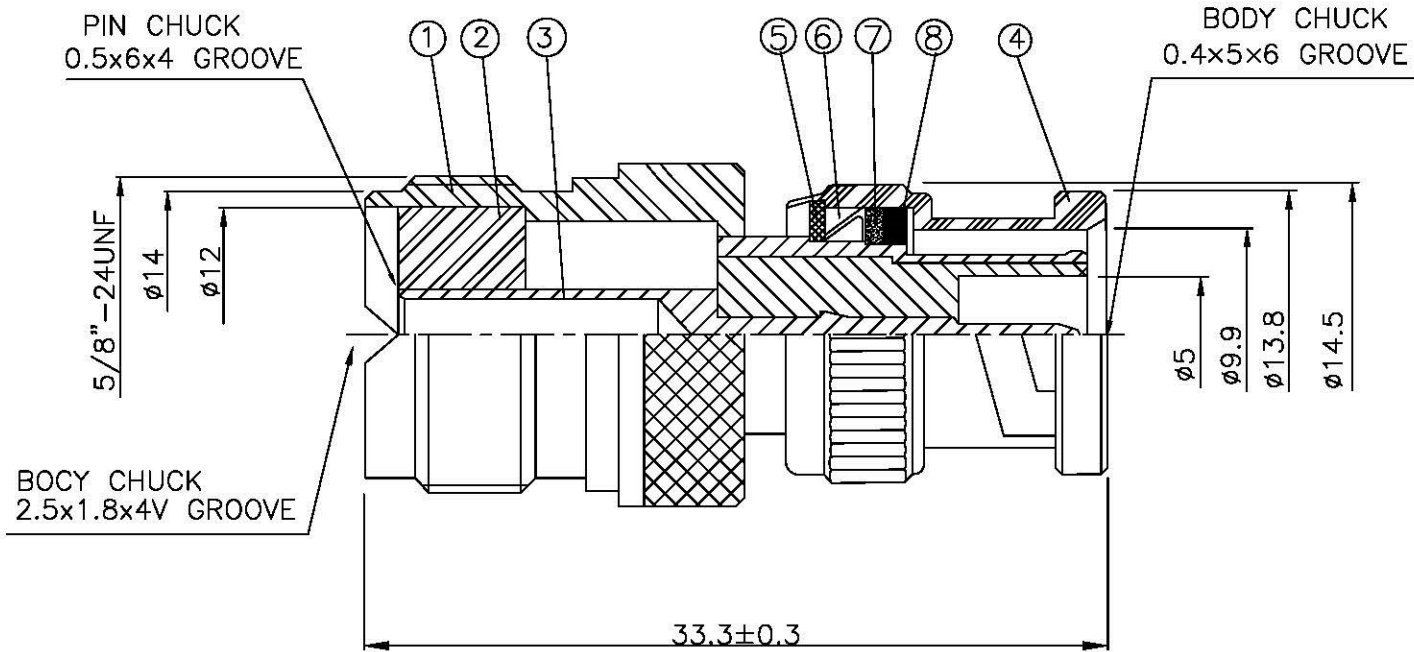
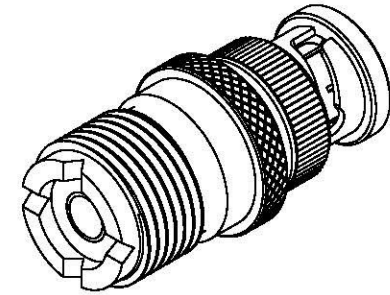


NO	DESCRIPTION	MATERIAL	Q'TY	FINISH
1	BODY	BRASS	1	NICKEL
2	INSULATION	DELRIN	1	DELRIN
3	PIN	BRASS	1	NICKEL
4	SHELL	BRASS	1	NICKEL
5	WASHER	BRASS	1	NICKEL
6	SPRING	BRASS	1	NICKEL
7	WASHER	BRASS	1	NICKEL
8	GASKET	RUBBER	1	RUBBER



All Connectors
 www.allconnectors.de
 Tel.: 0049 713 7002500
 40744 Hildesheim Germany

info@allconnectors.de
 Fax: 0049 713 7009504
 Kottenheider Str.

TITLE
BNC MALE - UHF FEMALE

PART NO.
BNC-28-DGN

DRAWING NO. **BNC 28 DGN**

DRAWN MARY DATE 96.06.18

CHECKED 蘇志欣 DATE

Q.A. 蘇姿潔 DATE

APPROVAL 徐燦霖 DATE

REVISION DATE

DIMENSIONS ARE IN MILLIMETERS

UNLESS OTHERWISE SPECIFIED
 TOLERANCE

0.5-5=±0.2	120-315=±1
5-30=±0.4	315-1000=±1.6
30-120=±0.6	1000-2000=±2.4

SCALE 4:1 SIZE A

REVISION

DESCRIPTION	ENGINEER